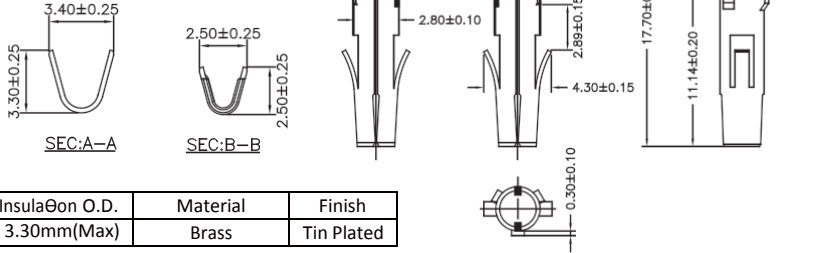


## 5.08mm Female & Male Terminal / Female & Male Housing

### Specifications

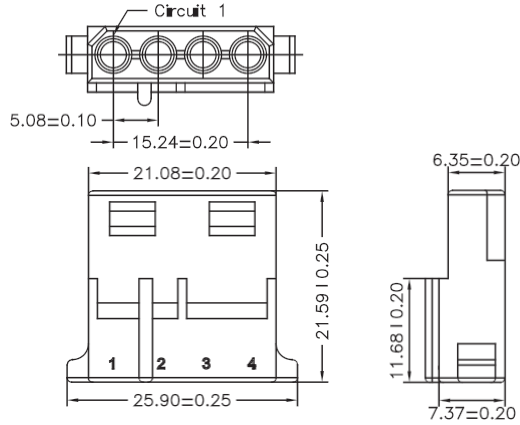
Current Rating: 10A AC,DC  
Voltage Rating: 250V AC,DC  
Temperature Range: -25°C to +85°C  
Contact Resistance: 10mΩ Max  
Insulation Resistance: 1000MΩ Min  
Withstanding Voltage: 1500V AC/minute  
Material: Nylon 66,UL94V-2



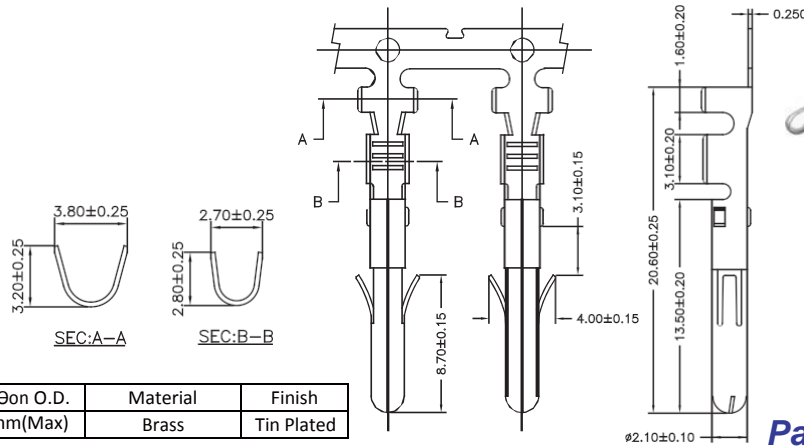
Wire Range	InsulaØon O.D.	Material	Finish
#14-#20	3.30mm(Max)	Brass	Tin Plated

**Part No.:5082-FT-L**

**Housing Wafer Terminal**

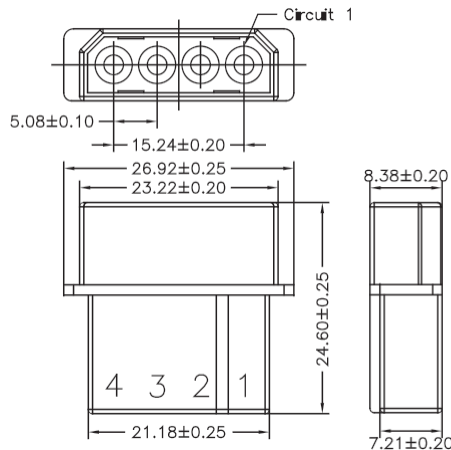


**Part No.:5082H-F04W-L**



Wire Range	InsulaØon O.D.	Material	Finish
#18-#24	2.50mm(Max)	Brass	Tin Plated

**Part No.:5082-MT-L**



**Part No.:5082H-M04W-L**