

# PIN HEADER 0.8mm

## Pin Header 0.8mm 2 Row H=1.40mm Stack SMT Type

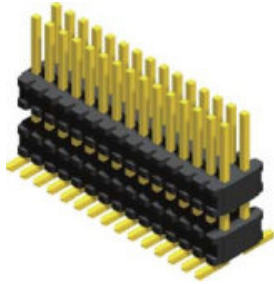


### Specifications

Current Rate: 1 AMP | Insulation Resistance: 1000MΩ | Max. Contact Resistance: 20mΩ |  
 Max. Dielectric Voltage: 500V AC for one minute | Operation Temperature: -40°C to +105°C

### Material

Insulator: Polyester, UL 94V-0 | Standard: Nylon 6T | Terminal: Copper Alloy | Plating: Gold Plated



## ORDER INFORMATION

**P H 6 D M 1 4 - 2 X X X X X X X**

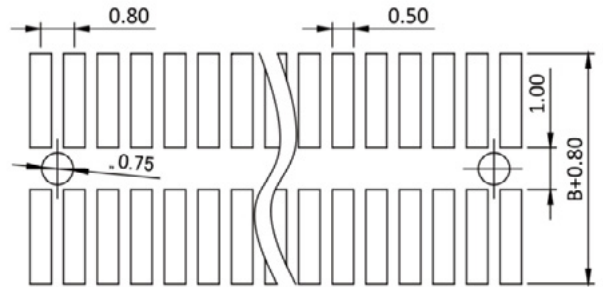
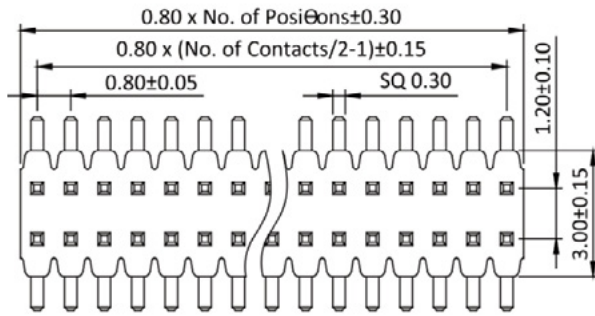
No. of Pins  
Pr Row  
2x40

Insulator  
Material  
Option  
A=BK-PBT  
B=BK-PA66  
C=BK-PA6T  
D=BK-PA46  
F=BK-LCP

Post  
W= With Post  
N= W/O Post

Contact Plating  
G0= Gold Flash  
G2= 5U" Gold  
G3= 10U" Gold  
G4= 15U" Gold  
G5= 30U" Gold  
S0= Gold Flash/ Tin  
SN= Tin

Packing  
0= PE Bag  
A= Tray  
T= Tube  
P= Tube+Cap  
R= Reel+Cap



Recommended PCB Layout  
(PCB TOLERANCE ±0.05)

