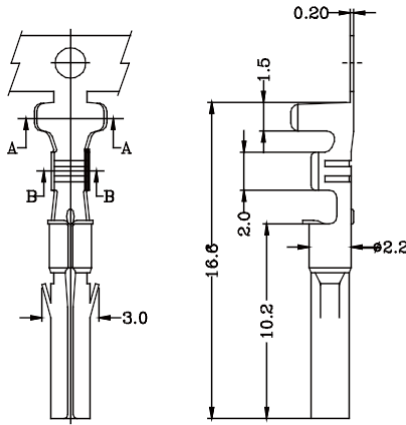
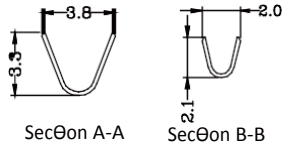


4.8mm Female & Male Terminal / Female & Male Housing

Specifications

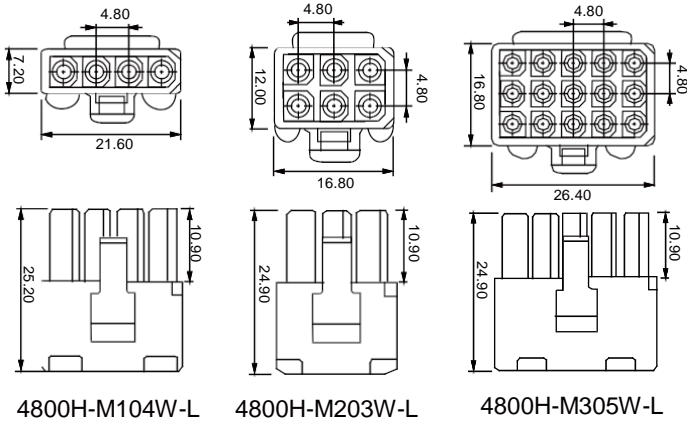
Current Rating: 5A AC,DC
Voltage Rating: 250V AC,DC
Temperature Range: -25°C to +85°C
Contact Resistance: 10mΩ Max
Insulation Resistance: 1000MΩ Min
Withstanding Voltage: 1500V AC/minute
Material: Nylon 66,UL94V-2



Wire Range	Insulation O.D.	Material	Finish
#20-#24	1.85mm(Max)	Brass	Tin Plated

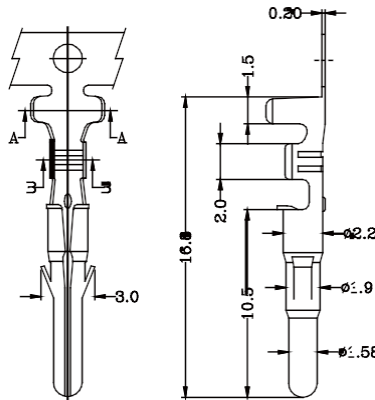
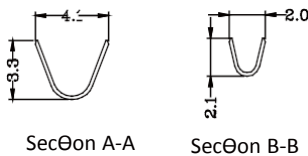
Part No.:4800-F104W-L

Housing Wafer Terminal



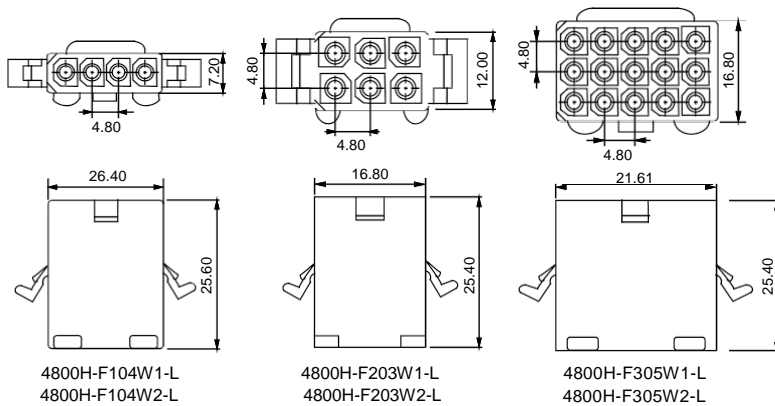
Part No.	No. of Contacts
4800H-M102W-L	1x2
4800H-M103W-L	1x3
4800H-M104W-L	1x4
4800H-M203W-L	2x3
4800H-M303W-L	3x3
4800H-M304W-L	3x4
4800H-M305W-L	3x5

Part No.:4800H-MXXXW-L



Wire Range	Insulation O.D.	Material	Finish
#20-#24	1.85mm(Max)	Brass	Tin Plated

Part No.:4800-MT-L



Part No.	No. of Contacts
4800H-F102W-L	1x2
4800H-F103W-L	1x3
4800H-F104W-L	1x4
4800H-F203W-L	2x3
4800H-F303W-L	3x3
4800H-F304W-L	3x4
4800H-F305W-L	3x5

Part No.:4800H-FXXXW-L

1:With Ear
2:W/O Ear