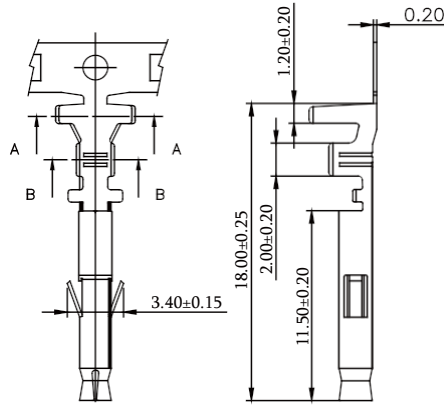
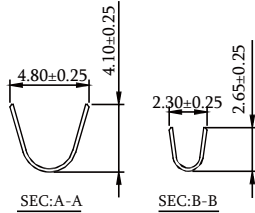


## 4.5mm Female & Male Terminal / Female & Male Housing

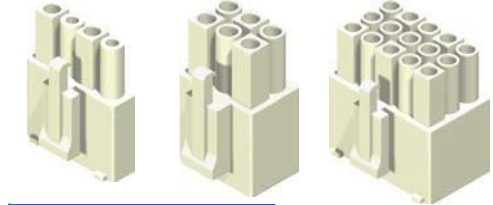
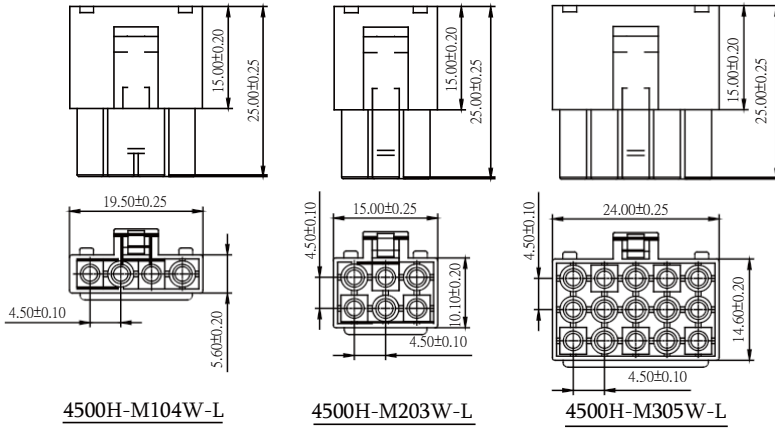
### Specifications

Current Rating: 5A AC,DC  
Voltage Rating: 250V AC,DC  
Temperature Range: -25°C to +85°C  
Contact Resistance: 10mΩ Max  
Insulation Resistance: 1000MΩ Min  
Withstanding Voltage: 1500V AC/minute  
Material: Nylon 66, UL94V-0



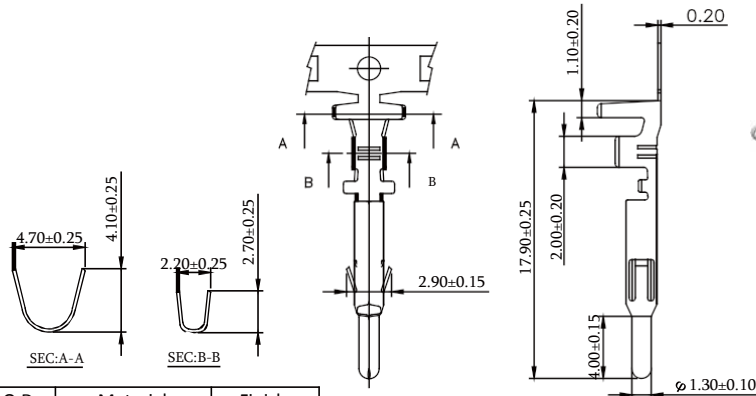
Wire Range	Insulaθon O.D.	Material	Finish
#20-#24	2.70mm(Max)	Brass	Tin Plated

**Part No.:4500-FT-L**



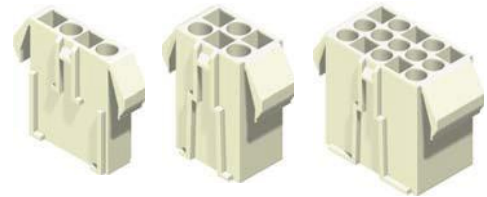
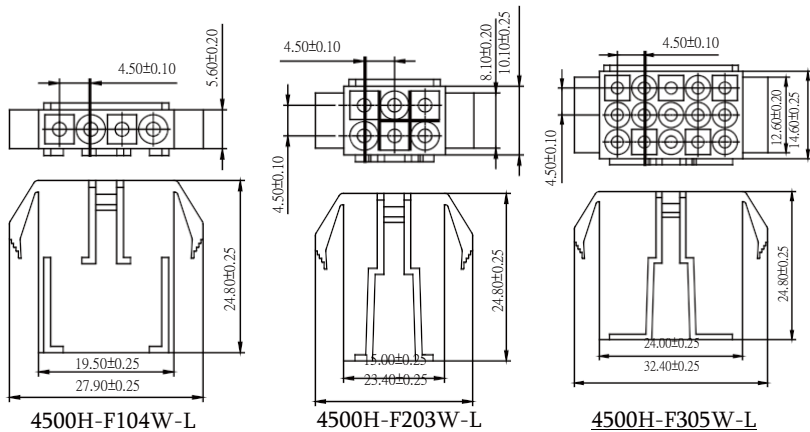
Part No.	No. of Contacts
4500H-F102W-L	1x2
4500H-F103W-L	1x3
4500H-F104W-L	1x4
4500H-F202W-L	2x2
4500H-F203W-L	2x3
4500H-F303W-L	3x3
4500H-F304W-L	3x4
4500H-F305W-L	3x5

**Part No.:4500H-MXXXW-L**



Wire Range	Insulaθon O.D.	Material	Finish
#20-#24	2.70mm(Max)	Brass	Tin Plated

**Part No.:4500-MT-L**



Part No.	No. of Contacts
4500H-F102W-L	1x2
4500H-F103W-L	1x3
4500H-F104W-L	1x4
4500H-F202W-L	2x2
4500H-F203W-L	2x3
4500H-F303W-L	3x3
4500H-F304W-L	3x4
4500H-F305W-L	3x5

**Part No.:4500H-FXXXW-L**