

MACHINE PIN SOCKET

Machine Pin Socket IC Straight Type 2.54mm

TOPTTEK[®]
HARDWARE ELECTRONIC COMPONENTS

Specifications

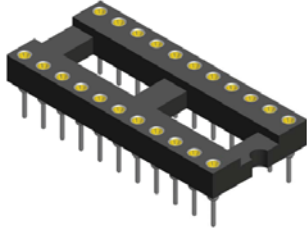
Current Rate: 3 AMP | Insulation Resistance: $\geq 1000\text{M}\Omega$ at $V=100\text{V}$ | Contact Resistance: $\leq 4\text{m}\Omega/\text{Contact}$ | Dielectric Voltage: 60V AC for one minute | Operation Temperature: -40°C to $+105^\circ\text{C}$

Material

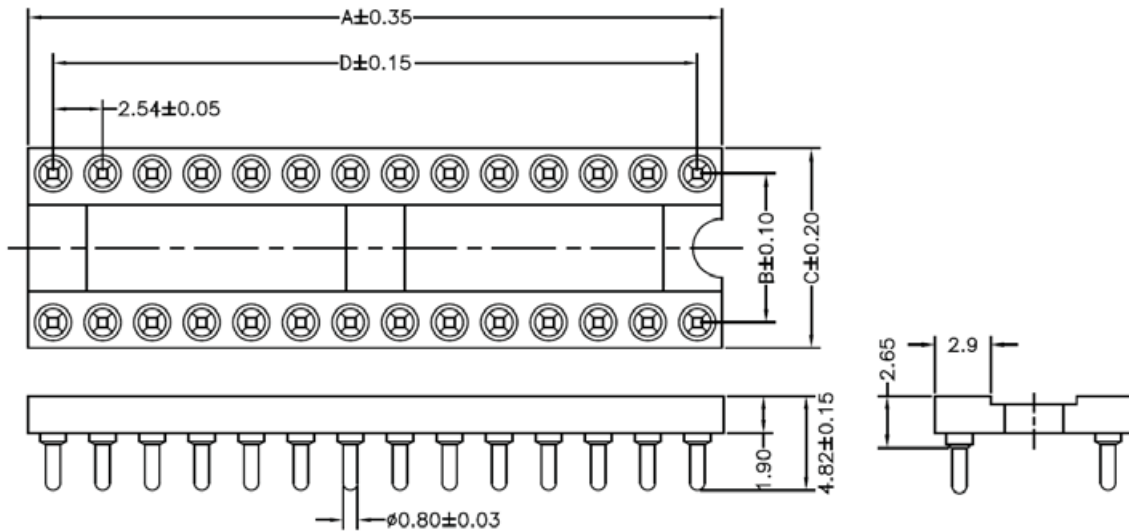
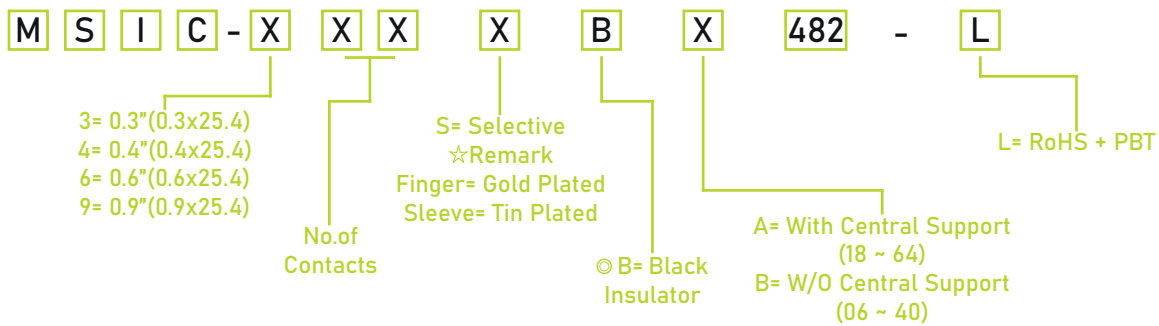
Insulator: Polyester, UL 94V-0 | © Standard: P.B.T | Terminal: Copper Alloy | Plated: Gold Plated



www.toptek-co.com



ORDER INFORMATION



No. of Contacts	Dim. A	Dim. B	Dim. C	Dim. D	0.3"	No. of Contacts	Dim. A	Dim. B	Dim. C	Dim. D	0.6"
6	7.60	7.62	10.20	5.08		24	30.48	15.24	17.70	27.94	
8	10.16	7.62	10.20	7.62	28	35.56	15.24	17.70	33.02		
14	17.78	7.62	10.20	15.24	32	40.60	15.24	17.70	38.10		
16	20.32	7.62	10.20	17.78	36	45.70	15.24	17.70	43.18		
18	22.86	7.62	10.20	20.32	40	50.80	15.24	17.70	48.26		
20	25.40	7.62	10.20	22.86	42	50.30	15.24	17.70	50.80		
24	30.48	7.62	10.20	27.94	48	60.90	15.24	17.70	58.42		
28	35.56	7.62	10.20	33.02	50	63.50	15.24	18.70	60.96		
No. of Contacts	Dim. A	Dim. B	Dim. C	Dim. D	0.4"						
20	25.40	10.16	12.60	22.86							
24	30.48	10.16	12.60	27.94							
28	35.56	10.16	12.60	33.02							