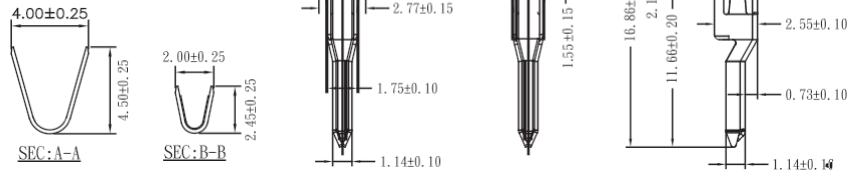


## 4.2mm Male Terminal / Female Housing / Crimp Female Housing

### Specifications

Current Rating: 9A AC,DC  
Voltage Rating: 600V AC,DC  
Temperature Range: 4200H: -25°C to +85°C  
4200HA: -40°C to +105°C  
Contact Resistance: 10mΩ Max  
Insulation Resistance: 1000MΩ Min  
Withstanding Voltage: 1500V AC/minute  
Material: Nylon 66, UL94V-2

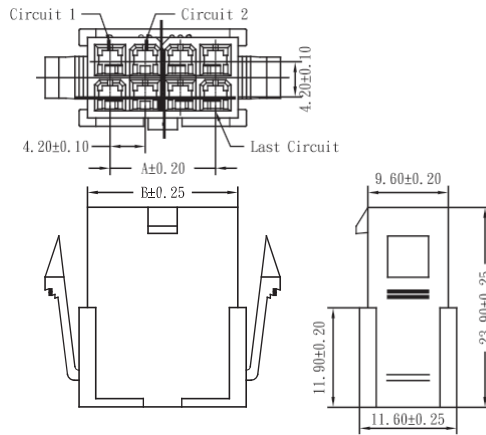


Wire Range	Insulation O.D.	Material	Finish
#18-#24	3.10mm(Max)	Brass	Tin Plated

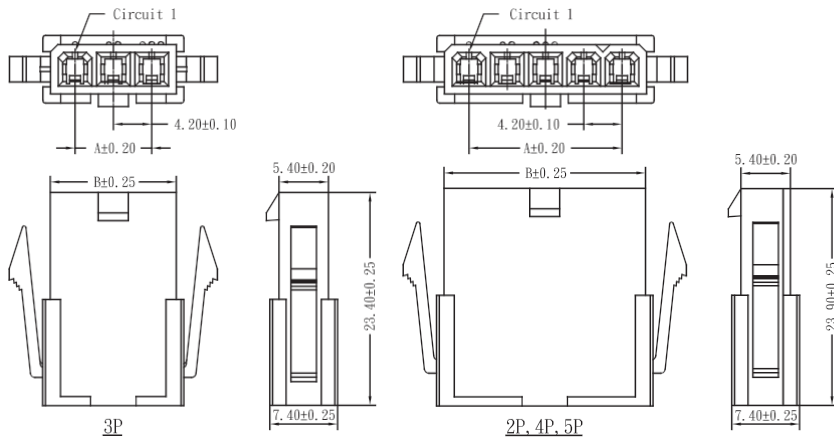
**Part No.:4200-MT-L**

**Housing Wafer Terminal**

No. of Contacts	Dimensions	
	A	B
2x1	---	5.40
2x2	4.20	9.60
2x3	8.40	13.80
2x4	12.60	18.00
2x5	16.80	22.20
2x6	21.00	26.40
2x7	25.20	30.60
2x8	29.40	34.80
2x9	33.60	39.00
2x10	37.80	43.20
2x11	42.00	47.40
2x12	46.20	51.60



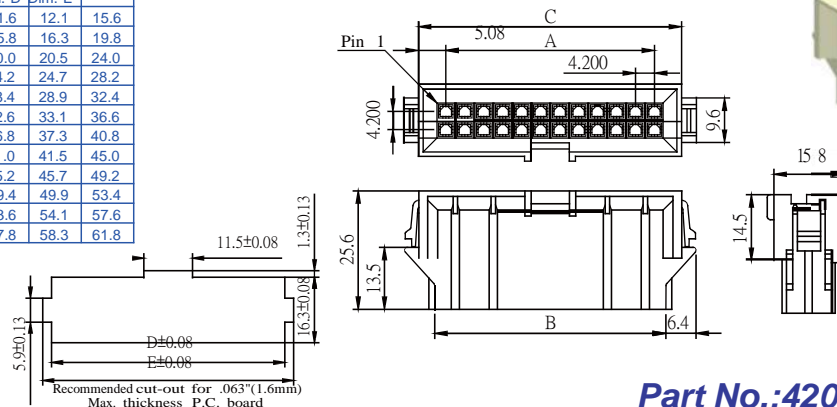
**Part No.:4200H-F2XXW-L**



No. of Contacts	A	B
02	4.20	9.60
03	8.40	13.80
04	12.60	18.00
05	16.80	22.20

**Part No.:4200H-F1XXW-L**

Contacts	Dimensional Information (mm)				
	Dim. B	Dim. C	Dim. D	Dim. E	Dim. A
2x1		5.4	11.6	12.1	15.6
2x2	4.2	9.6	15.8	16.3	19.8
2x3	8.4	13.8	20.0	20.5	24.0
2x4	12.6	18.0	24.2	24.7	28.2
2x5	16.8	22.2	28.4	28.9	32.4
2x6	21.0	26.4	32.6	33.1	36.6
2x7	25.2	30.6	36.8	37.3	40.8
2x8	29.4	34.8	41.0	41.5	45.0
2x9	33.6	39.0	45.2	45.7	49.2
2x10	37.8	43.2	49.4	49.9	53.4
2x11	42.0	47.4	53.6	54.1	57.6
2x12	46.2	51.6	57.8	58.3	61.8



**Part No.:4200HA-F2XXW-L**