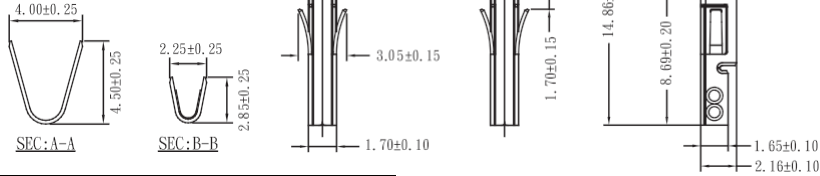


4.2mm Female Terminal / Male Housing / Crimp Male Housing

Specifications

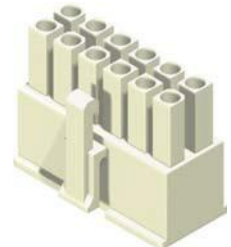
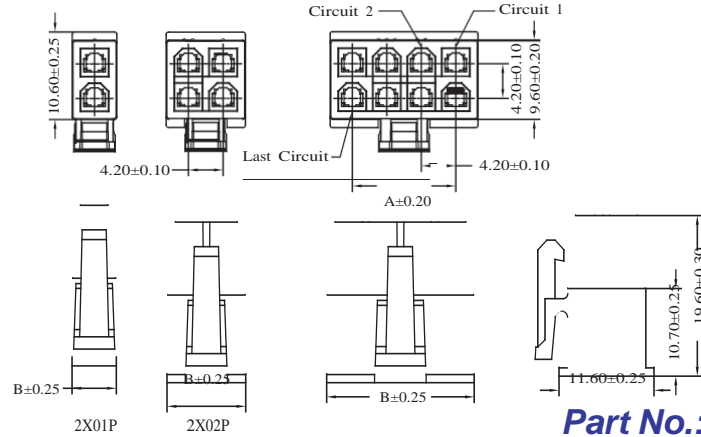
Current Rating: 9A AC,DC
Voltage Rating: 600V AC,DC
Temperature Range: 4200H: -25°C to +85°C
4200HA: -40°C to +105°C
Contact Resistance: 10mΩ Max
Insulation Resistance: 1000MΩ Min
Withstanding Voltage: 1500V AC/minute
Material: Nylon 66, UL94V-2



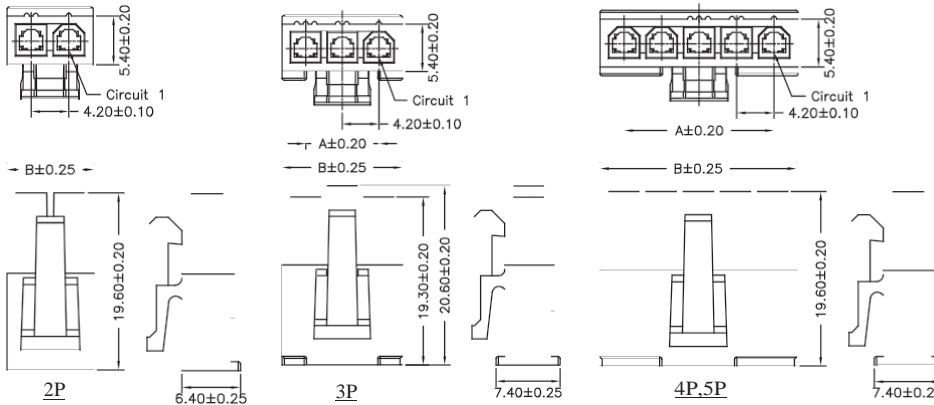
Part No.	Wire Range	InsulaØon O.D.	Material	Finish
4200-FTB-L	#16-#24	3.10mm(Max)	Brass	Tin Plated
4200-FTP-L			Phosphor Bronze	

Part No.:4200-FT-L

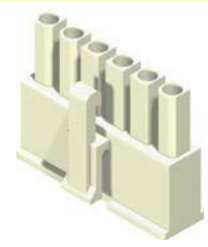
No. of Contacts	Dimensions	
	A	B
2x1	---	5.70
2x2	4.20	9.60
2x3	8.40	13.80
2x4	12.60	18.00
2x5	16.80	22.20
2x6	21.00	26.40
2x7	25.20	30.60
2x8	29.40	34.80
2x9	33.60	39.00
2x10	37.80	43.20
2x11	42.00	47.40
2x12	46.20	51.60



Part No.:4200H-M2XXW-L

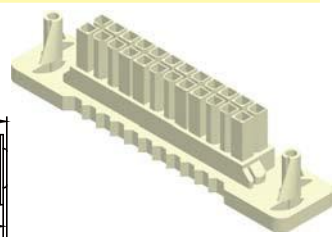
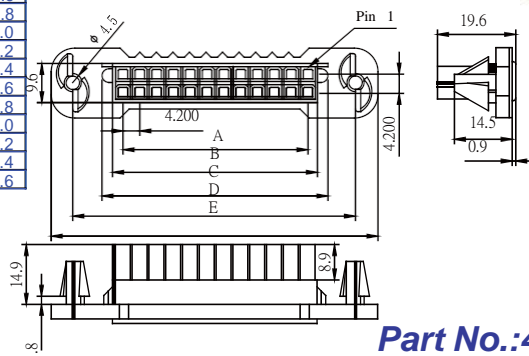
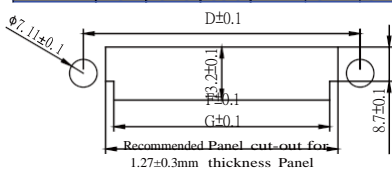


No. of Contacts	Dimensions	
	A	B
02	4.20	9.60
03	8.40	13.80
04	12.60	18.00
05	16.80	22.20



Part No.:4200H-M1XXW-L

Contacts	Dimensional Information (mm)						
	Dim. A	Dim. B	Dim. C	Dim. D	Dim. E	Dim. F	Dim. G
2x1	5.4	10.1	25.0	36.0	8.7	13.4	
2x2	4.2	9.6	14.3	29.2	40.2	12.9	17.6
2x3	8.4	13.8	18.5	33.4	44.4	17.1	21.8
2x4	12.6	18.0	22.7	37.6	48.6	21.3	26.0
2x5	16.8	22.2	26.9	41.8	52.8	25.5	30.2
2x6	21.0	26.4	31.1	46.0	57.0	29.7	34.4
2x7	25.2	30.6	35.3	50.2	61.2	33.9	38.6
2x8	29.4	34.8	39.5	54.4	65.4	38.1	42.8
2x9	33.6	39.0	43.7	58.6	69.6	42.3	47.0
2x10	37.8	43.2	47.9	62.8	73.8	46.5	51.2
2x11	42.0	47.4	52.1	67.0	78.0	50.7	55.4
2x12	46.2	51.6	56.3	71.2	82.2	54.9	59.6



Part No.:4200HA-M2XXW-L