

▶ MINI JUMPER 2.54mm

Mini jumper 2.54mm D type

TOPTTEK®

HARDWARE ELECTRONIC COMPONENTS



www.toptek-co.com



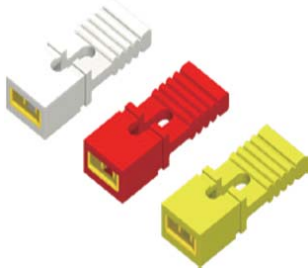
RoHS
2002/95/EC

Specifications

Current Rate: 3 AMP | Min. Insulation Resistance: 1000MΩ | Max. Contact Resistance: 20mΩ
| Dielectric Voltage: 1000V AC for one minute | Operation Temperature: -40°C to +105°C

Material

Insulator: Polyester, UL 94V-0 | Standard: PBT or nylon 66 | Terminal: Brass or Phosphor Bronze | Plating: Gold Plated



▶ ORDER INFORMATION

M J 1 X - D G X - U

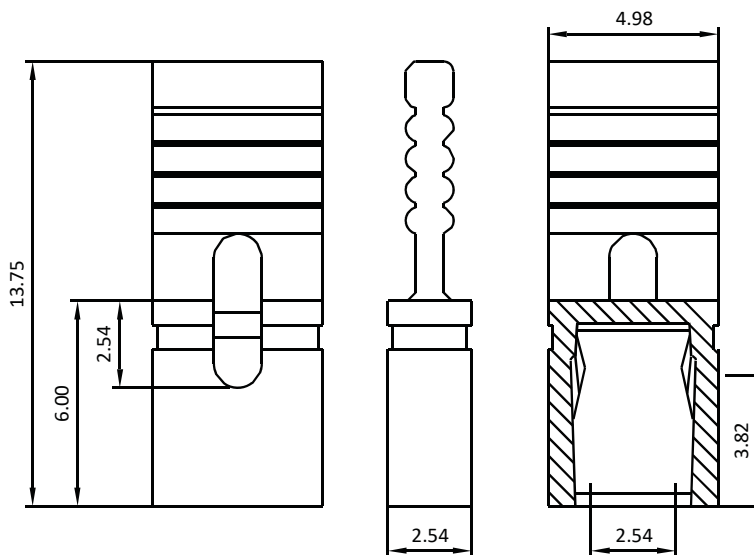
B= Brass
P= Phosphor
Bronze

D= With Handle
13.75mm

G= Gold Flash

B= Black Insulator
U= Blue Insulator
G= Gray Insulator
Y= Yellow Insulator
R= Red Insulator
E= Green Insulator
W= White Insulator

U= RoHS + Nylon 66



D Type