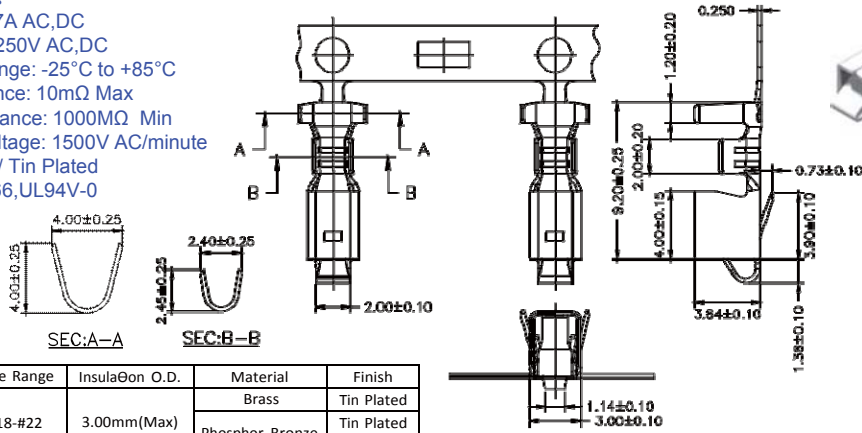


3.96mm Terminal / Housing / Wafer Right Angle & Straight Type

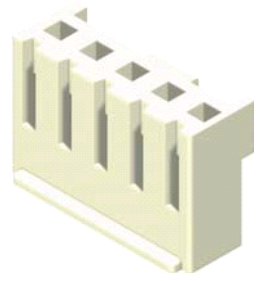
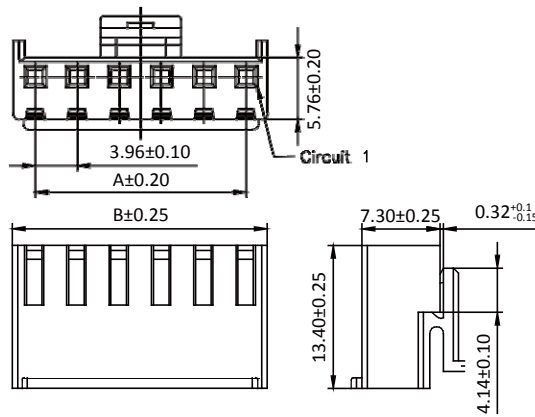
Specifications
 Current Rating: 7A AC,DC
 Voltage Rating: 250V AC,DC
 Temperature Range: -25°C to +85°C
 Contact Resistance: 10mΩ Max
 Insulation Resistance: 1000MΩ Min
 Withstanding Voltage: 1500V AC/minute
 Terminal: Brass / Tin Plated
 Material: Nylon 66,UL94V-0



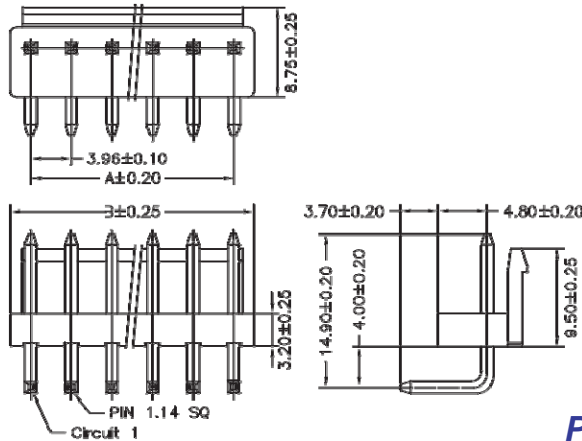
Part No.	Wire Range	Insulation O.D.	Material	Finish
3962-TTB-L	#18-#22	3.00mm(Max)	Brass	Tin Plated
3962-TTP-L			Phosphor Bronze	Tin Plated
3962-TGP-L				Gold Plated

Part No.:3962-T-L

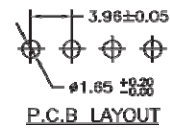
No. of Contacts	Dimensions	
	A	B
2	3.96	8.02
3	7.92	11.98
4	11.88	15.94
5	15.84	19.90
6	19.80	23.86
7	23.76	27.82
8	27.72	31.78
9	31.68	35.74
10	35.64	39.70
11	39.60	43.66
12	43.56	47.62
13	47.52	51.58
14	51.48	55.54
15	55.44	59.50



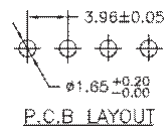
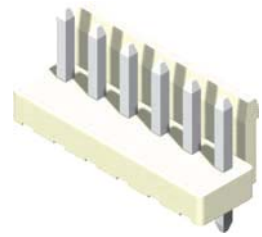
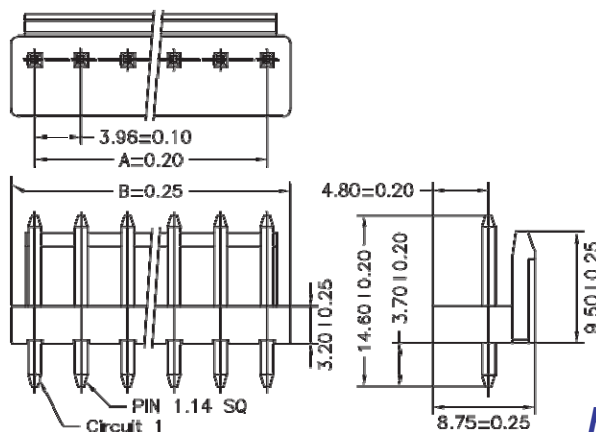
Part No.:3962H-XXW-L



No. of Contacts	Dimensions	
	A	B
2	3.96	7.92
3	7.92	11.88
4	11.88	15.84
5	15.84	19.80
6	19.80	23.76
7	23.76	27.72
8	27.72	31.68
9	31.68	35.64
10	35.64	39.60
11	39.60	43.56
12	43.56	47.52
13	47.52	51.48
14	51.48	55.44
15	55.44	59.40



Part No.:3962R-XXTW-L



Part No.:3962S-XXTW-L

Housing Wafer Terminal