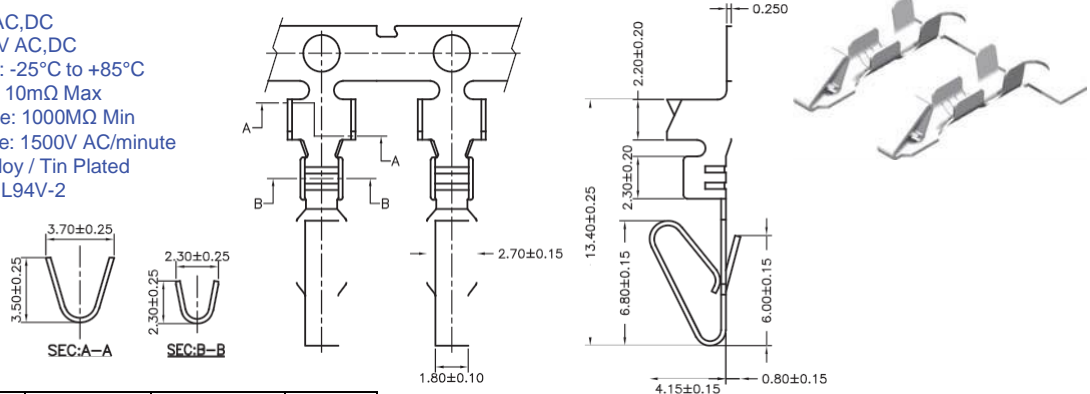


3.96mm Terminal / Housing / Wafer Straight Type

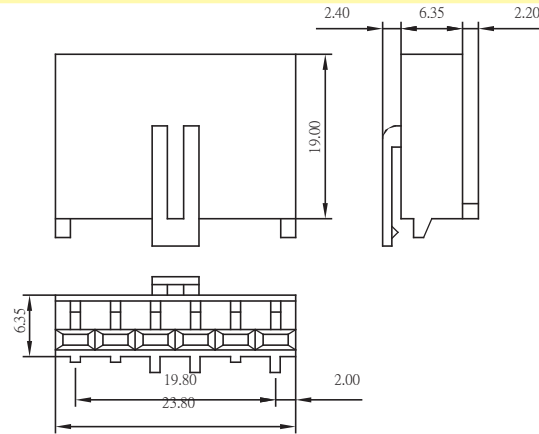
Specifications

Current Rating: 5A AC,DC
Voltage Rating: 250V AC,DC
Temperature Range: -25°C to +85°C
Contact Resistance: 10mΩ Max
Insulation Resistance: 1000MΩ Min
Withstanding Voltage: 1500V AC/minute
Terminal: Copper Alloy / Tin Plated
Material: Nylon 66, UL94V-2

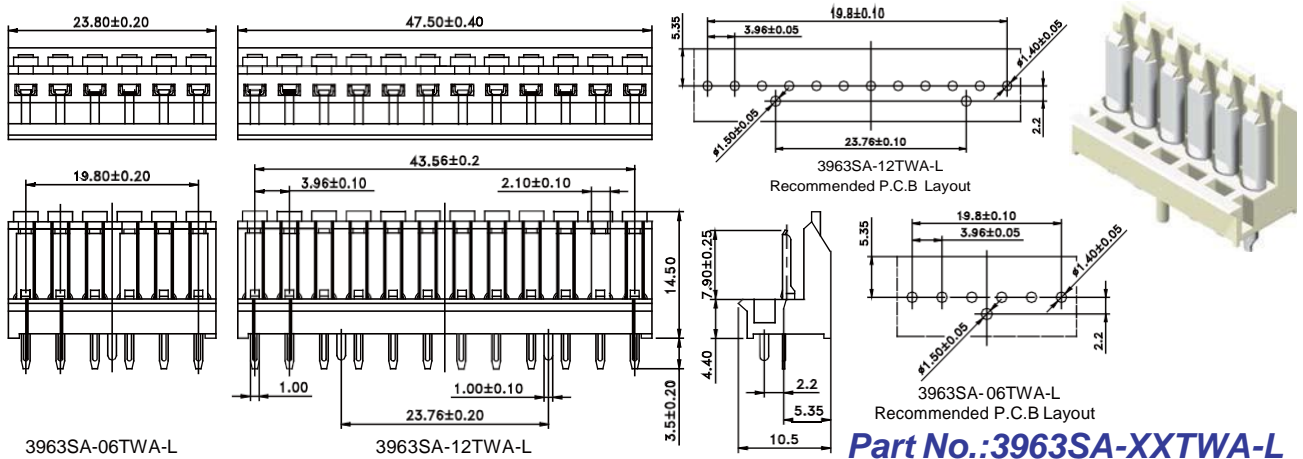


| Part No. | Wire Range | Insulation O.D. | Material | Finish |
|------------|------------|-----------------|----------|-------------|
| 3961-TTB-L | #18-#24 | 2.80mm(Max) | Brass | Tin Plated |
| 3961-TGB-L | | | | Gold Plated |

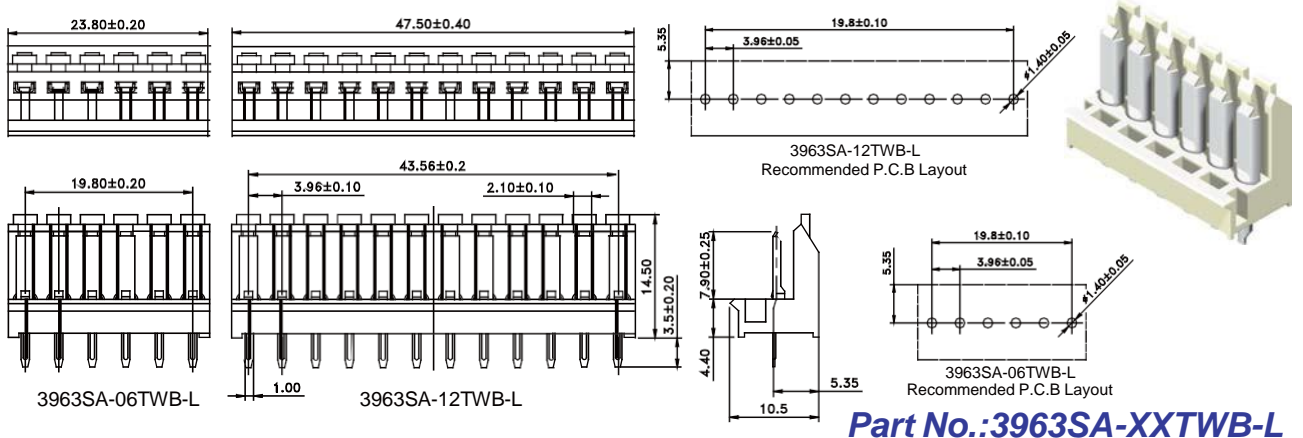
Part No.:3961-T-L



Part No.:3963H-06W-L



Part No.:3963SA-XXTWA-L



Part No.:3963SA-XXTWB-L