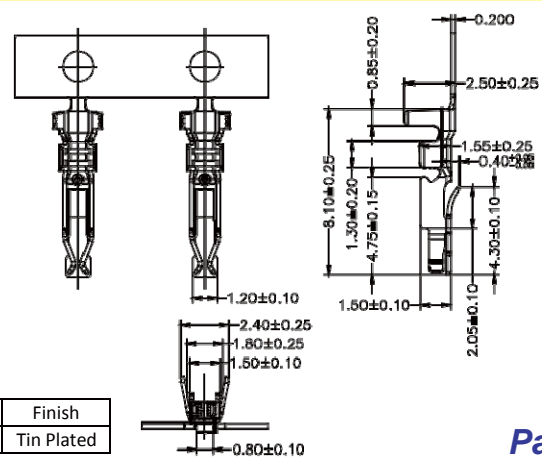


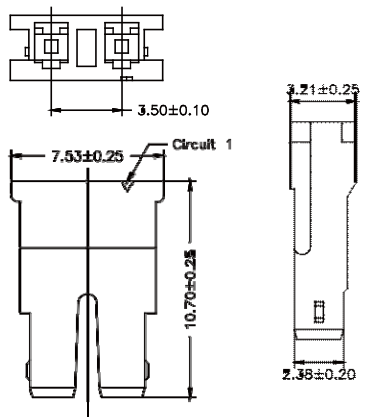
3.5mm LCD Terminal / Housing

Specifications
 Current Rating: 1A AC,DC
 Voltage Rating: 1400V AC,DC
 Temperature Range: -25°C to +85°C
 Contact Resistance: 10mΩ Max
 Insulation Resistance: 1000MΩ Min
 Withstanding Voltage: 3800V AC/minute
 Material:Nylon 66,UL94V-0

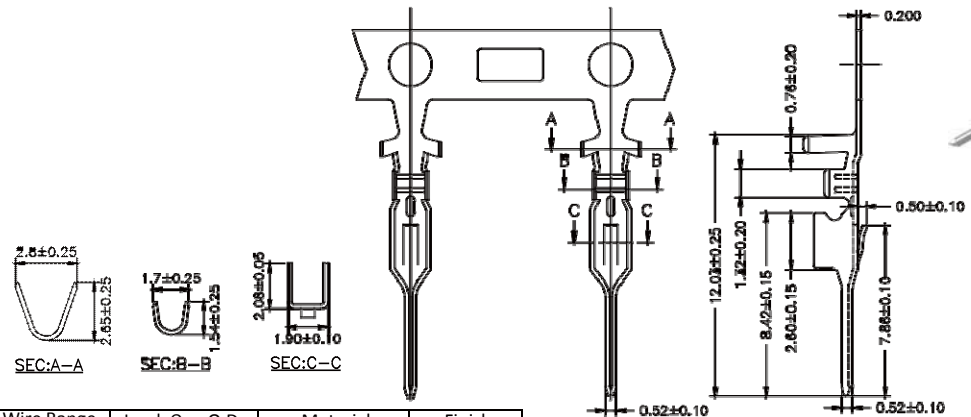


Wire Range	Insulation O.D.	Material	Finish
#24-#28	1.60mm(Max)	Phosphor Bronze	Tin Plated

Part No.:LCD-2PFT-L

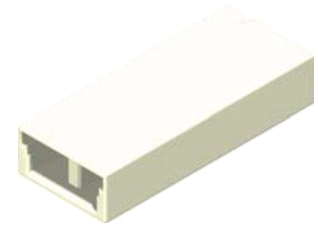
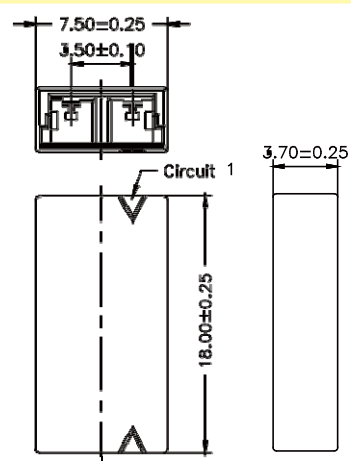


Part No.:LCDH-M2PW-L



Wire Range	Insulation O.D.	Material	Finish
#24-#28	1.80mm(Max)	Phosphor Bronze	Tin Plated

Part No.:LCD-2PMT-L



Part No.:LCDH-F2PW-L