

SCREW CONNECTORS

M12 A 5 pin male front panel mount with wires

TOPTTEK[®]

HARDWARE ELECTRONIC COMPONENTS

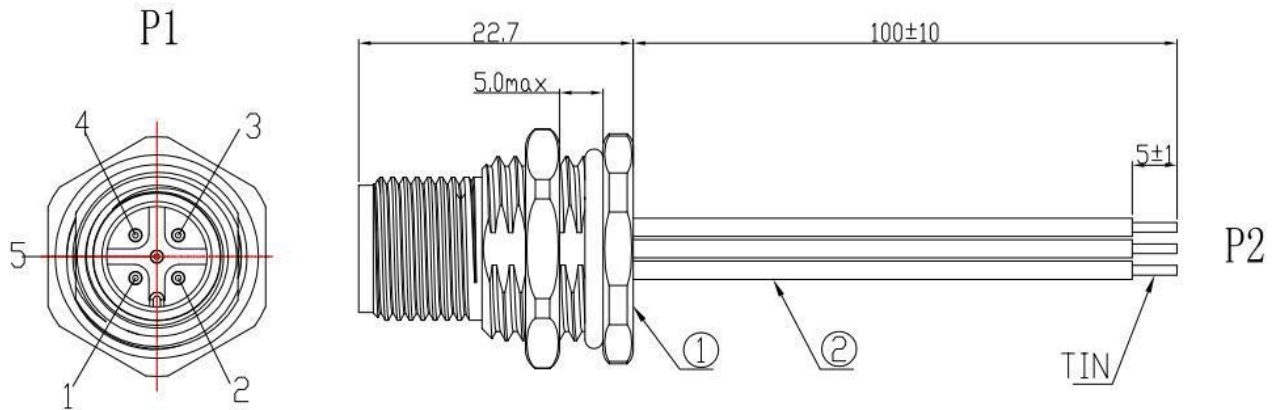


www.topttek-co.com



SPECIFICATION MODEL: M12-A-5P MALE

1	Contact Pin Material	Brass with gold plating
2	Coupling Nut/Screw Material	Brass with nickel plating
3	Insulation Plastic Material	PA66+GF
4	Protection	IP67 inserted and tightened
5	Operating Temperature	-5°C ~ +80°C
6		100% open & short test



P1	P2
1	Brown
2	White
3	Blue
4	Black
5	Grey

PG9 Panel hole size

