

# ▶ PIEZO ELEMENT AND VIBRATOR

piezoelectric ceramic buzzer plate A2, A3, D2

**TOPTTEK®**

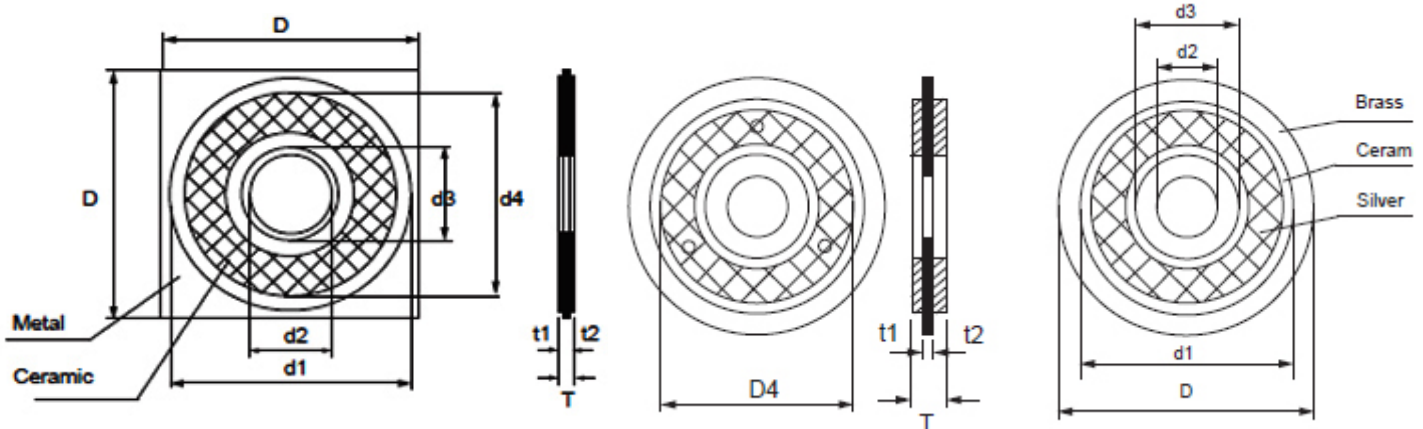
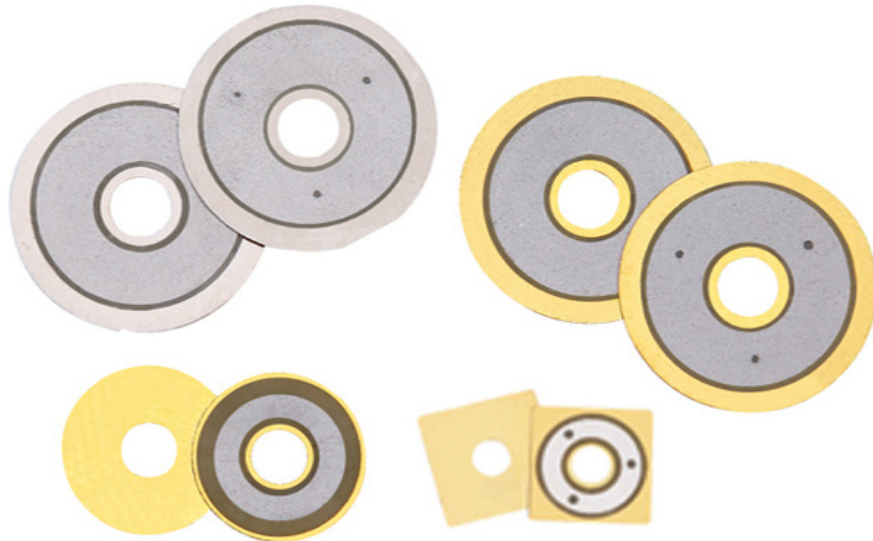
HARDWARE ELECTRONIC COMPONENTS



www.toptek-co.com



## SPECIFICATIONS MODELS:



### Round shape:

Part No.	Fr(KHz)	Zr( $\Omega$ )	C(nF)	Shape	D(mm)	d1(mm)	d2(mm)	T(mm)	t1(mm)	t2(mm)	Metal
8T-10.0A2	10.0+/-0.5	1500	6+/-30%	A2	8	7.5	2.4	0.12	0.05	0	Brass
12T-7.5A3	12+/-0.05	500	50+/-30%	A3	12	10	2.8	0.2	0.065	0.07	Brass
12H-7.5A3	3.5+/-1.0	500	50+/-30%	A3	12	10	2.8	0.2	0.065	0.07	Alloy

### Square shape:

Part No.	Fr(KHz)	Zr( $\Omega$ )	C(nF)	Shape	D(mm)	d1(mm)	d2(mm)	T(mm)	t1(mm)	t2(mm)	Metal
8x8T-7.0D2	7.0+/-0.5	1500	6+/-30%	D2	8*8	6.5	2.5	0.12	0.05	0	Brass