

D SUB CONNECTORS

D-SUB Slim SMT Right Angle Type



RoHS 2002/95/EC

Specifications

Current Rate: 3 AMP | Insulation Resistance: 1000MΩ Min. | Contact Resistance: 20mΩ Max. | Dielectric Voltage: 500V AC for one minute | Operation Temperature: -55°C to +105°C

Material

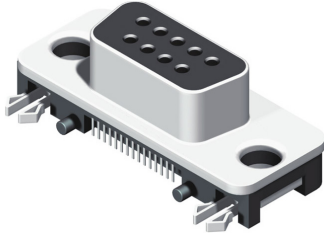
Insulator: Polyester, UL 94V-0 | © Standard: Nylon 6T | Terminal: Copper Alloy

TOPTTEK[®]

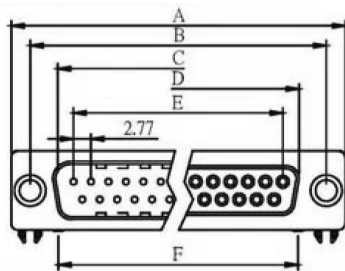
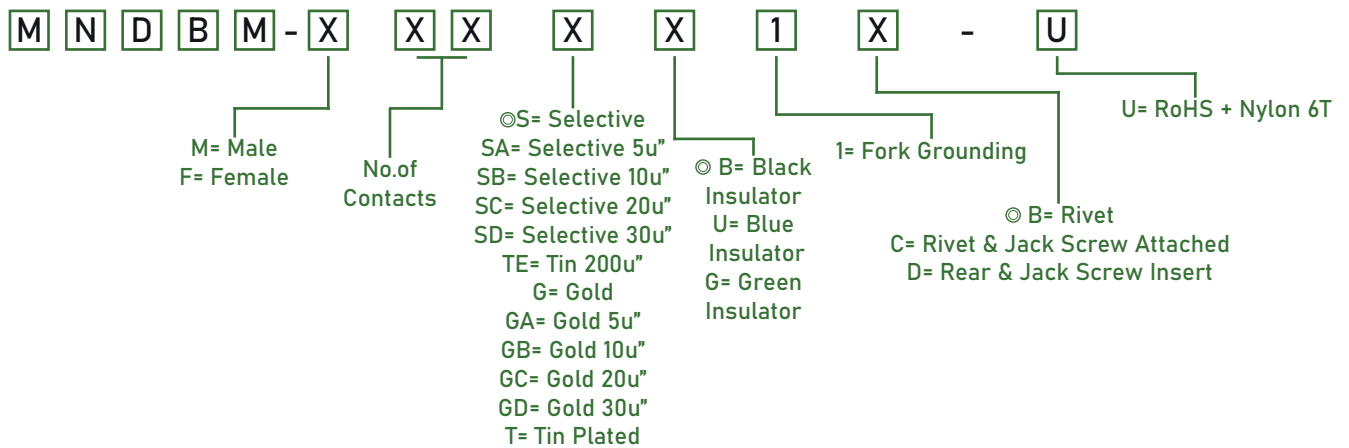
HARDWARE ELECTRONIC COMPONENTS



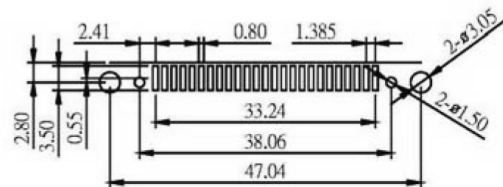
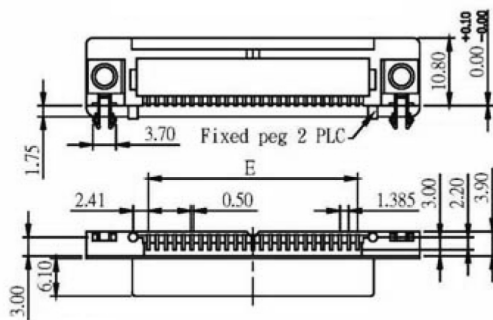
www.toptek-co.com



ORDER INFORMATION



No. of Contacts	Dim. A	Dim. B	Dim. C	Dim. D	Dim. E	Dim. F
9	30.81	24.99	16.92	16.33	11.08	15.90
25	53.04	47.04	38.96	38.38	33.24	38.06



Pin Number :
1 14 2 15 3 16 4 17 5 18 6 19 7 20 8 21 9 22 10 23 11 24 12 25 13
Recommended 25PIN PCB Layout