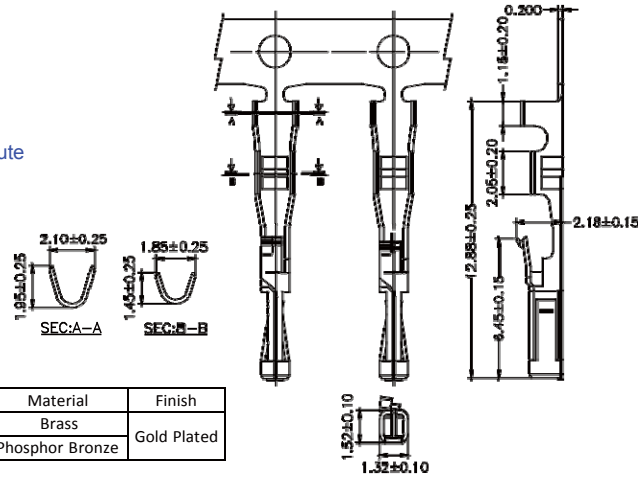


## 2.54mm Terminal / Housing / Wafer Right Angle & Straight Type

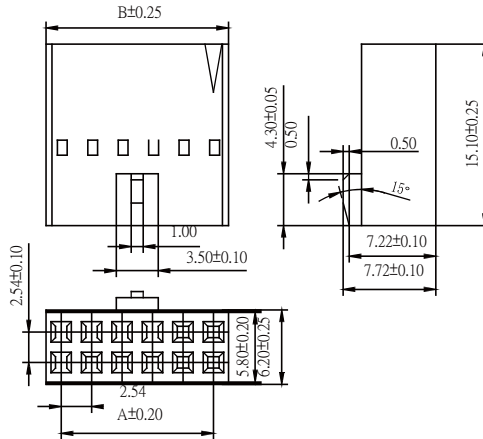
Specifications  
 Current Rating: 3A AC,DC  
 Voltage Rating: 250V AC,DC  
 Temperature Range: -40°C to +105°C  
 Contact Resistance: 20mΩ Max  
 Insulation Resistance: 1000MΩ Min  
 Withstanding Voltage: 1500V AC/minute  
 Terminal: Brass / Gold Plated  
 Material:P.B.T, UL94V-0



Part No.	Wire Range	Insulation O.D.	Material	Finish
2545-TGB-L	#22-#26	1.63mm(Max)	Brass	Gold Plated
2545-TGP-L			Phosphor Bronze	

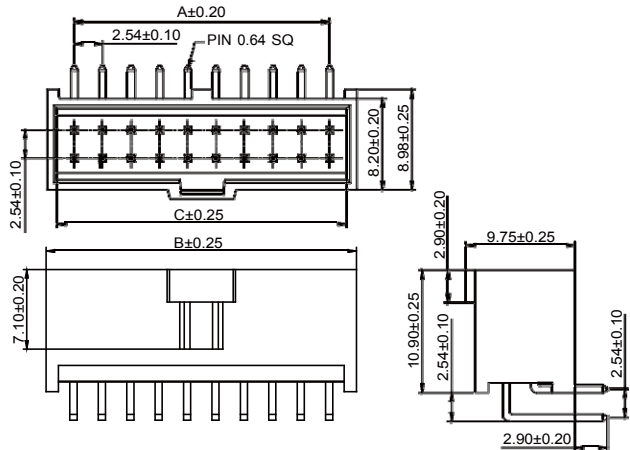
**Part No.:2545-T-L**

No. of Contacts	Dimensions		No. of Contacts	Dimensions	
	A	B		A	B
2x3	5.08	7.62	2x18	43.18	45.72
2x4	7.62	10.16	2x19	45.72	48.26
2x5	10.16	12.70	2x20	48.26	50.80
2x6	12.70	15.24	2x21	50.80	53.34
2x7	15.24	17.78	2x22	53.34	55.88
2x8	17.78	20.32	2x23	55.88	58.42
2x9	20.32	22.86	2x24	58.42	60.96
2x10	22.86	25.40	2x25	60.96	63.50
2x11	25.40	27.94	2x26	63.50	66.04
2x12	27.94	30.48	2x27	66.04	68.58
2x13	30.48	33.02	2x28	68.58	71.12
2x14	33.02	35.56	2x29	71.12	73.66
2x15	35.56	38.10	2x30	73.66	76.20
2x16	38.10	40.64	2x31	76.20	78.74
2x17	40.64	43.18	2x32	78.74	81.28

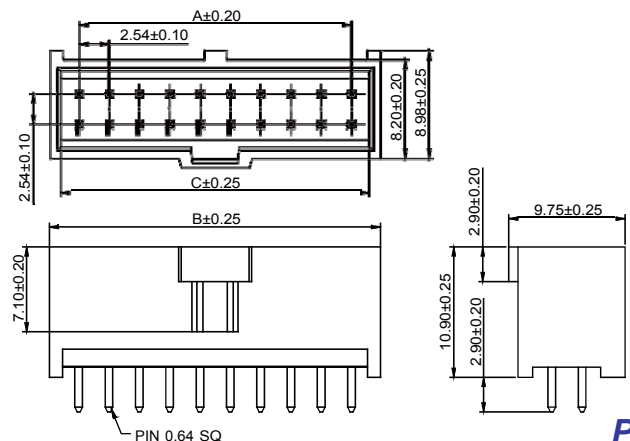


**Part No.:2555H-2XXB-L**

No. of Contacts	Dimensions		
	A	B	C
2x3	5.08	9.96	8.12
2x4	7.62	12.50	10.66
2x5	10.16	15.04	13.20
2x6	12.70	17.58	15.74
2x7	15.24	20.12	18.28
2x8	17.78	22.66	20.82
2x9	20.32	25.20	23.36
2x10	22.86	27.74	25.90
2x11	25.40	30.28	28.44
2x12	27.94	32.82	30.98
2x13	30.48	35.36	33.52
2x14	33.02	37.90	36.06
2x15	35.56	40.44	38.60
2x16	38.10	42.98	41.14
2x17	40.64	45.52	43.68
2x18	43.18	48.06	46.22
2x19	45.72	50.60	48.76
2x20	48.26	53.14	51.30
2x21	50.80	55.68	53.84
2x22	53.34	58.22	56.38
2x23	55.88	60.76	58.92
2x24	58.42	63.30	61.46
2x25	60.96	65.84	64.00
2x26	63.50	68.38	66.54
2x27	66.04	70.92	69.08
2x28	68.58	73.46	71.62
2x29	71.12	76.00	74.16
2x30	73.66	78.54	76.70
2x31	76.20	81.08	79.24
2x32	78.74	83.62	81.78



**Part No.:2555R-2XXGB-L**



**Part No.:2555S-2XXGB-L**