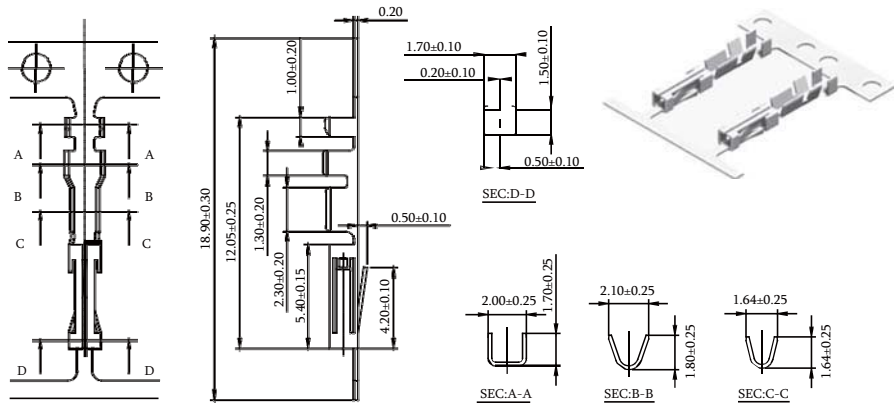


## 2.54mm Terminal / Housing / Wafer Right Angle & Straight Type

### Specifications

Current Rating: 3A AC,DC  
Voltage Rating: 250V AC,DC  
Temperature Range: -25°C to +85°C  
Contact Resistance: 20mΩ Max  
Insulation Resistance: 1000MΩ Min  
Withstanding Voltage: 1000V AC/minute  
Terminal: Brass / Tin Plated  
Material: P.B.T,UL94V-0

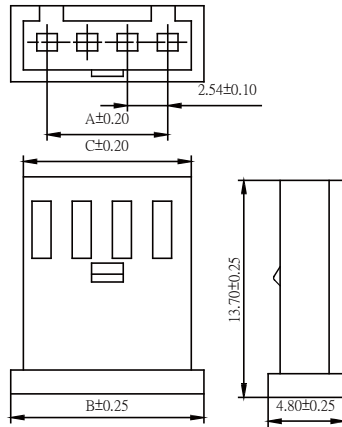


Wire Range	Insulation O.D.	Material	Finish
#28-#30	1.30mm(Max)	Phosphor Bronze	Tin Plated

**Part No.:2546-T-L**

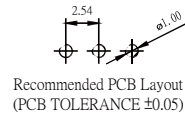
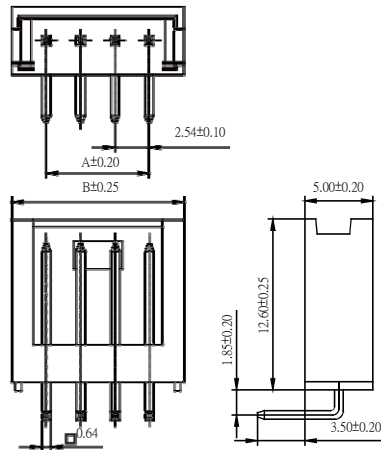
**Housing Wafer Terminal**

No. of Contacts	Dimensions		
	A	B	C
2	2.54	7.10	5.60
4	7.62	12.18	10.68
6	12.70	17.26	15.76
8	17.78	22.34	20.84

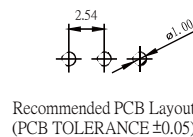
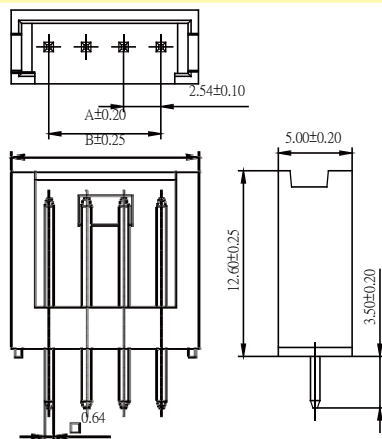


**Part No.:2546H-XXB-L**

No. of Contacts	Dimensions	
	A	B
2	2.54	7.70
4	7.62	12.78
6	12.70	17.86
8	17.78	22.94



**Part No.:2546R-XXTB-L**



**Part No.:2546S-XXTB-L**