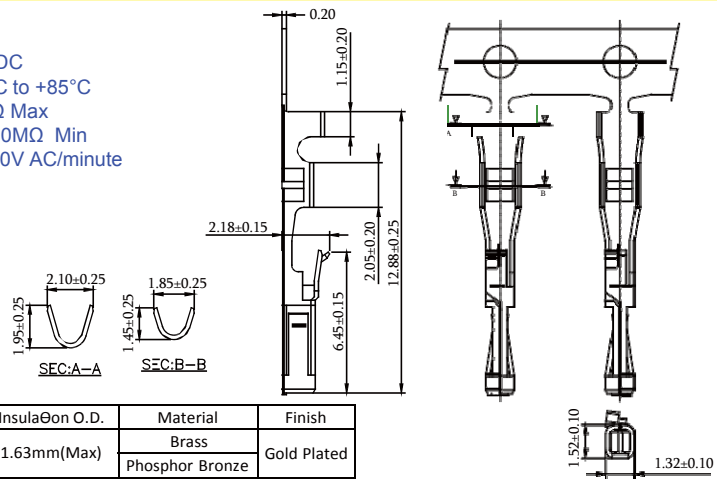


2.54mm Mini Latch Terminal / Housing / Wafer Straight Type

Specifications
 Current Rating: 3A AC,DC
 Voltage Rating: 250V AC,DC
 Temperature Range: -25°C to +85°C
 Contact Resistance: 20mΩ Max
 Insulation Resistance: 1000MΩ Min
 Withstanding Voltage: 1500V AC/minute

Material: P.B.T, UL94V-0

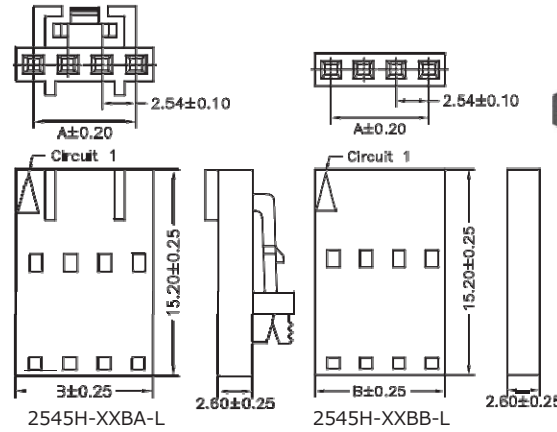


Part No.	Wire Range	Insulation O.D.	Material	Finish
2545-TGB-L	#22-#26	1.63mm(Max)	Brass	Gold Plated
2545-TGP-L			Phosphor Bronze	

Part No.:2545-T-L

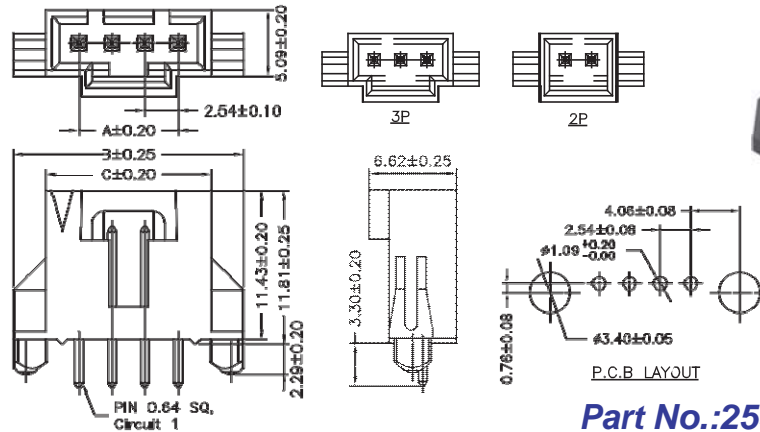
Housing Wafer Terminal

No. of Contacts	Dimensions		No. of Contacts	Dimensions	
	A	B		A	B
2	2.54	5.20	14	33.02	35.80
3	5.08	7.80	15	35.56	38.30
4	7.62	10.30	16	38.10	40.90
5	10.16	12.90	17	40.64	43.40
6	12.70	15.40	18	43.18	46.00
7	15.24	18.00	19	45.72	48.50
8	17.78	20.50	20	48.26	51.10
9	20.32	23.10	21	50.80	53.60
10	22.86	25.60	22	53.34	56.20
11	25.40	28.10	23	55.88	58.70
12	27.94	30.70	24	58.42	61.20
13	30.48	33.20	25	60.96	63.80



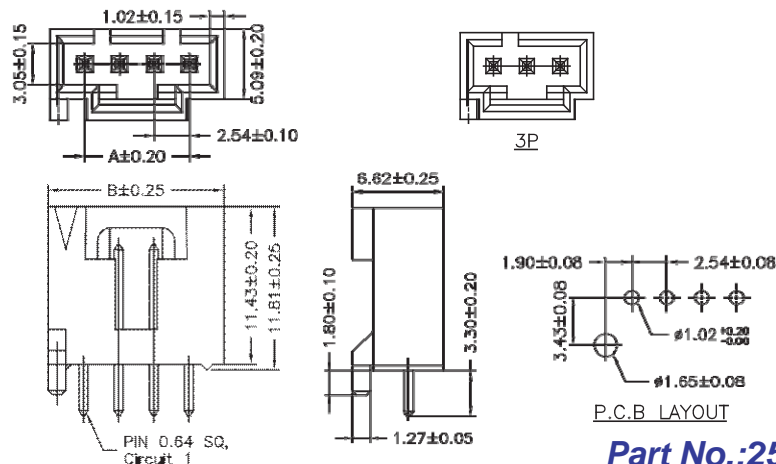
Part No.:2545H-XXBA-L
2545H-XXBB-L

No. of Contacts	Dimensions		
	A	B	C
2	2.54	12.63	7.63
3	5.08	15.17	10.17
4	7.62	17.71	12.71
5	10.16	20.25	15.25
6	12.70	22.79	17.79
7	15.24	25.33	20.33
8	17.78	27.87	22.87
9	20.32	30.41	25.41
10	22.86	32.95	27.95
11	25.40	35.49	30.49
12	27.94	38.03	33.03



Part No.:2545S-XXGB2-L

No. of Contacts	Dimensions	
	A	B
3	5.08	10.17
4	7.62	12.71
5	10.16	15.25
6	12.70	17.79
7	15.24	20.33
8	17.78	22.87
9	20.32	25.41
10	22.86	27.95
11	25.40	30.49
12	27.94	33.03



Part No.:2545S-XXGB1-L