

# D SUB CONNECTORS

## D-SUB Machine Pin Dip Type



RoHS 2002/95/EC

### Specifications

Current Rate: 3 AMP | Insulation Resistance: 1000MΩ Min. | Contact Resistance: 20mΩ Max. | Dielectric Voltage: 500V AC for one minute | Operation Temperature: -55°C to +105°C

### Material

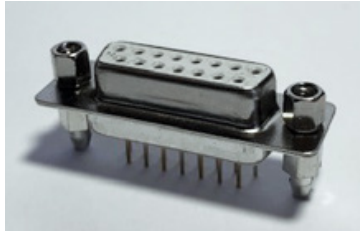
Contacts: Copper Alloy | Insulator: PBT UL 94V-0 Rated

**TOPTTEK**<sup>®</sup>

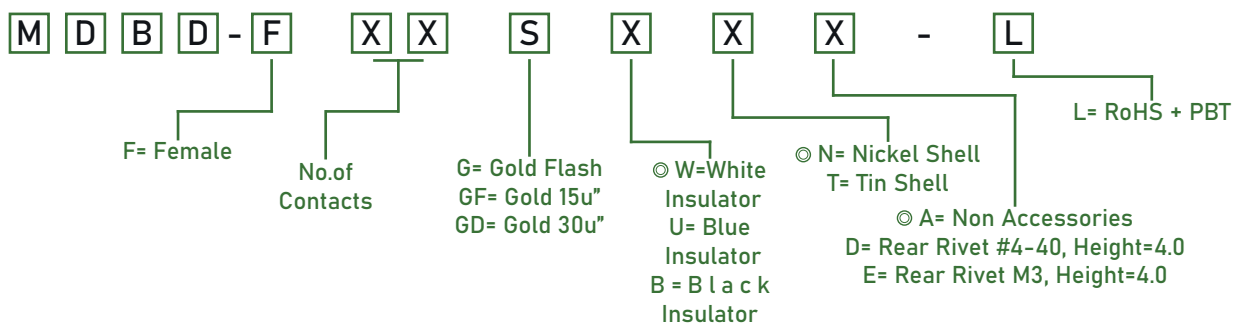
HARDWARE ELECTRONIC COMPONENTS



www.toptek-co.com



## ORDER INFORMATION



No. of Contacts	Dim. A	Dim. B	Dim. C	Dim. D	Dim. E
9	30.81	24.99	16.92	16.33	19.20
15	39.14	33.32	25.50	24.66	27.70
25	53.04	47.04	38.96	38.38	41.10
37	69.32	63.50	55.42	54.84	57.30

