

# ▶ TERMINAL BLOCK

PCB Terminal block (linguetta)



**TOPTTEK®**

HARDWARE ELECTRONIC COMPONENTS



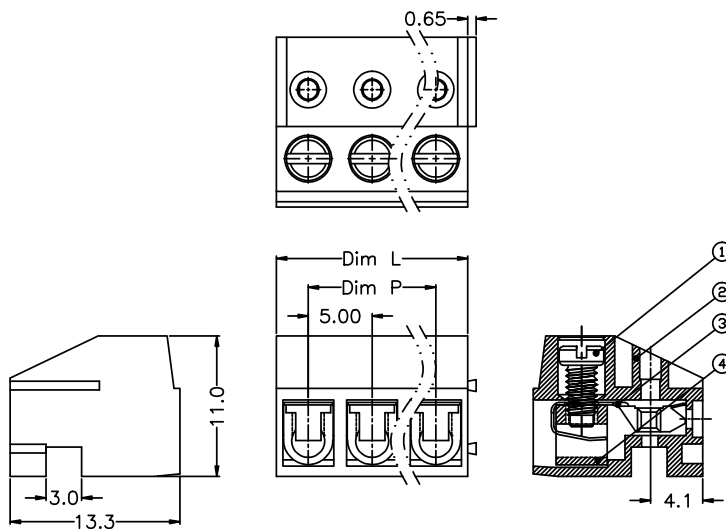
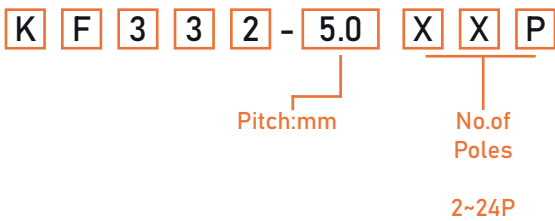
www.toptek-co.com

## SPECIFICATION MODEL KF332 P.5.0 :

1	Screw Material	M2.5 steel, Zinc plated, "-" slot type
2	Housing Material	PA66, UL94V-0
3	Clamp Material	Brass, Ni plated
4	Pin Header Material	Brass, Tin plated
5	Rated voltage	UL: 300V IEC: 250V
6	Rated Current	UL: 10A IEC: 12A
7	Insulation Resistance	500MΩ / DC500V
8	Withstanding Voltage	AC2000V / 1min
9	Wire Range	28-16AWG 1.5mm <sup>2</sup>
10	Operating Temperature	-40°C.....+105°C
11	Soldering Temperature	250°C ± 5 / 5sec
12	Torque	0.4N.m (4.1kgf.cm)
13	Strip Length	5-6mm



## ▶ ORDER INFORMATION



N=Number of Poles  
 Dim P=(N-1)×5.00  
 Dim L=N×5.00

Poles	Dim P	Dim L
2-6P	±0.10	±0.15
7-12P	±0.20	±0.20
13-18P	±0.25	±0.30
19-24P	±0.30	±0.40