

# ▶ TERMINAL BLOCK

PCB Terminal block (linguetta)



**TOPTTEK®**

HARDWARE ELECTRONIC COMPONENTS



[www.toptek-co.com](http://www.toptek-co.com)

## SPECIFICATION MODEL KF305 P.5.0 :

1	Screw Material	M2.5 steel, Zinc plated, "-" slot type
2	Housing Material	PA66, UL94V-0
3	Clamp Material	Brass, Ni plated
4	Pin Header Material	Brass, Tin plated
5	Rated voltage	UL: 300V IEC: 250V
6	Rated Current	UL: 12A IEC: 24A
7	Insulation Resistance	500MΩ / DC500V
8	Withstanding Voltage	AC2000V / 1min
9	Wire Range	22-14AWG 2.5mm <sup>2</sup>
10	Operating Temperature	-30°C.....+120°C
11	Soldering Temperature	250°C ± 5 / 5sec
12	Torque	0.4N.m (4.1kgf.cm)
13	Strip Length	4.5-5mm



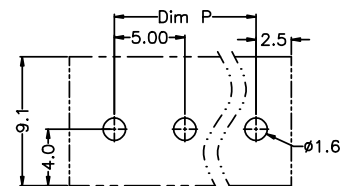
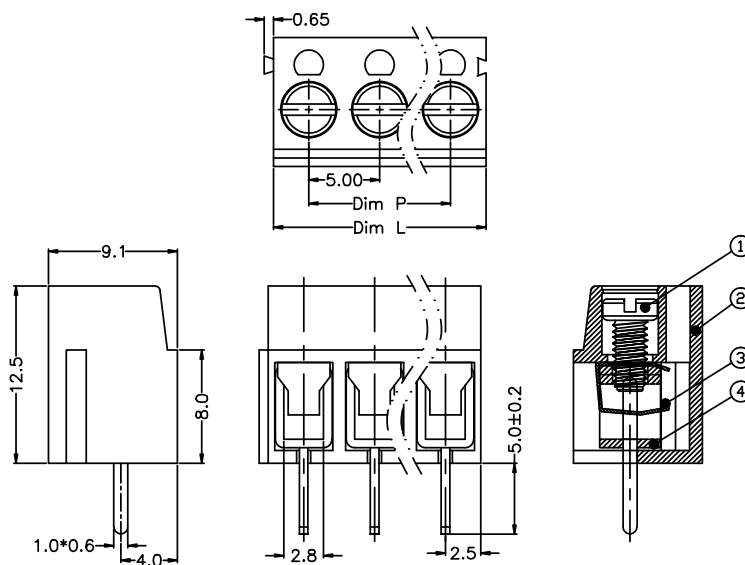
## ▶ ORDER INFORMATION

**K F 3 0 5 - 5.0 X X P**

Pitch:mm

No.of Poles

2~24P



P.C.B. LAYOUT

N=Number of Poles  
 Dim P=(N-1)×5.00  
 Dim L=N×5.00

Poles	Dim P	Dim L
2-6P	±0.10	±0.15
7-12P	±0.20	±0.20
13-18P	±0.25	±0.30
19-24P	±0.30	±0.40