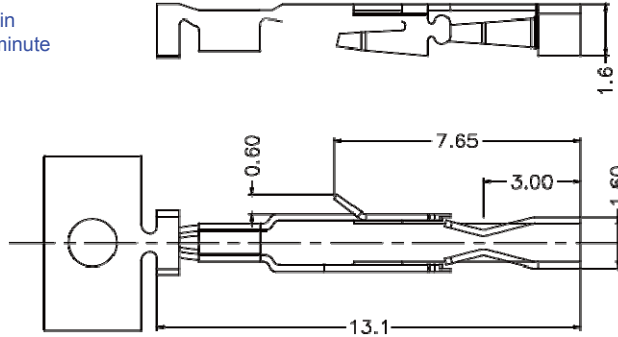


2.54mm Terminal / Housing

Specifications
 Current Rating: 3A AC,DC
 Voltage Rating: 250V AC,DC
 Temperature Range: -25°C to +85°C
 Contact Resistance: 20mΩ Max
 Insulation Resistance: 1000MΩ Min
 Withstanding Voltage: 1000V AC/minute
 Terminal: Brass / Tin Plated
 Material:P.B.TUL94V-0

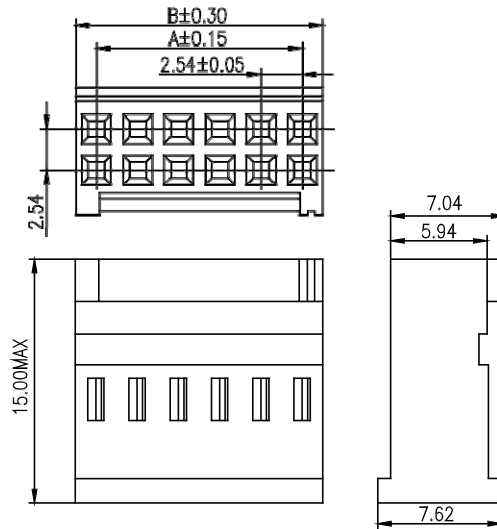


Wire Range	Insulation O.D.	Material	Finish
#22-#28	1.50mm(Max)	Copper Alloy	Tin Plated

Part No.:2217-T-L

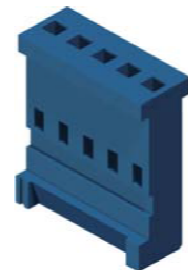
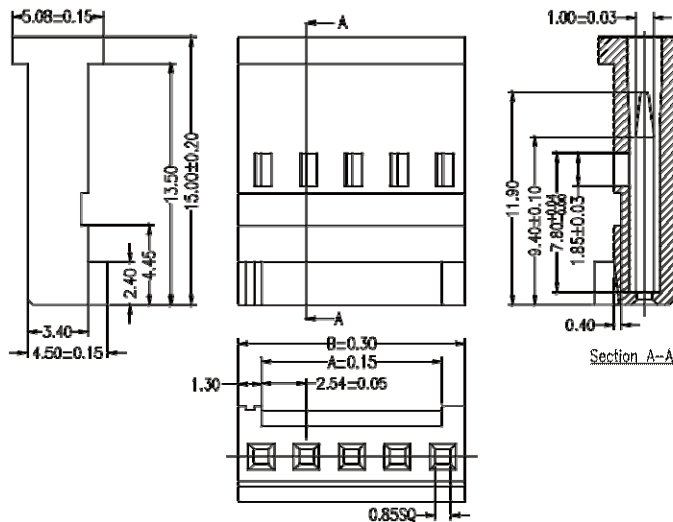
Housing Wafer Terminal

No. of Contacts	Dimensions		No. of Contacts	Dimensions	
	A	B		A	B
2x2	2.54	5.08	2x12	27.94	30.48
2x3	5.08	7.62	2x13	30.48	33.02
2x4	7.62	10.16	2x14	33.02	35.56
2x5	10.16	12.70	2x15	35.56	38.10
2x6	12.70	15.24	2x16	38.10	40.64
2x7	15.24	17.78	2x17	40.64	43.18
2x8	17.78	20.32	2x18	43.18	45.72
2x9	20.32	22.86	2x19	45.72	48.26
2x10	22.86	25.40	2x20	48.26	50.80
2x11	25.40	27.94			



Part No.:2217H-2XXU-L

No. of Contacts	Dimensions	
	A	B
2	2.54	5.08
3	5.08	7.62
4	7.62	10.16
5	10.16	12.70
6	12.70	15.24
7	15.24	17.78
8	17.78	20.32
9	20.32	22.86
10	22.86	25.40
12	27.94	30.48
15	35.56	38.10
18	43.18	45.72
20	48.26	50.80



Part No.:2217H-1XXU-L