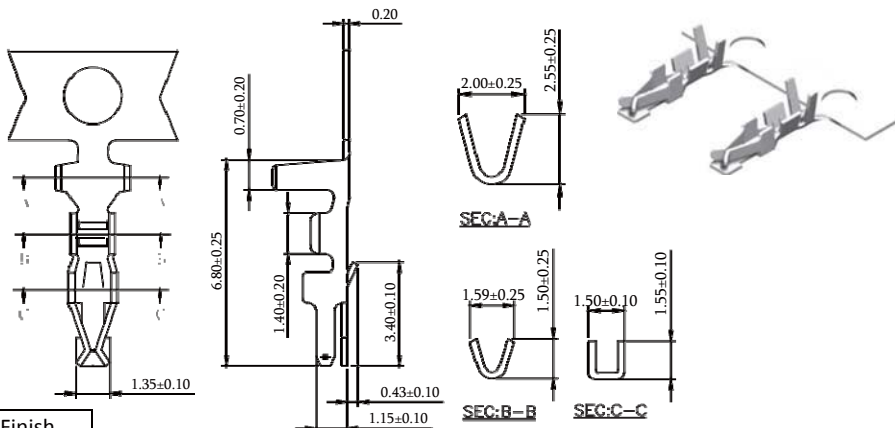


2.0mm Terminal / Housing / Wafer R/A / Straight Type

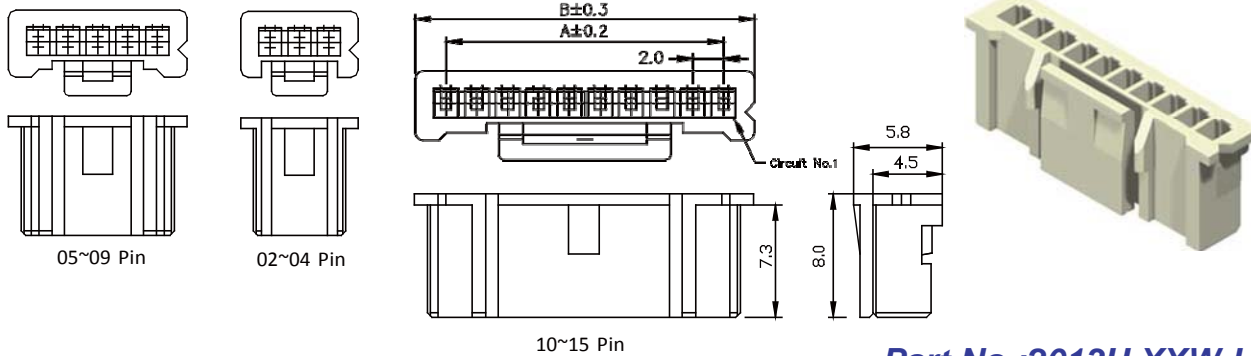
Specifications

Current Rating: 3A AC,DC
Voltage Rating: 250V AC,DC
Temperature Range: -25°C to +85°C
Contact Resistance: 20mΩ Max
Insulation Resistance: 1000MΩ Min
Withstanding Voltage: 800V AC/minute
Terminal: Brass / Tin Plated
Material: Housing: Nylon 66, UL94V-0
Wafer: P.B.T, UL94V-0

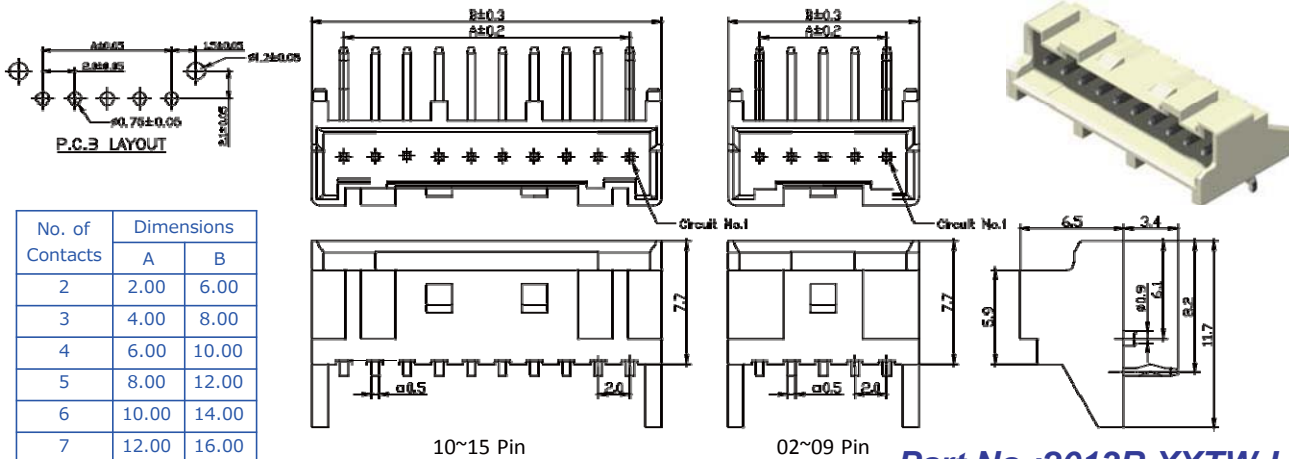


Wire Range	Material	Finish
#22-#28	Phosphor Bronze	Tin Plated

Part No.:2013-T-L

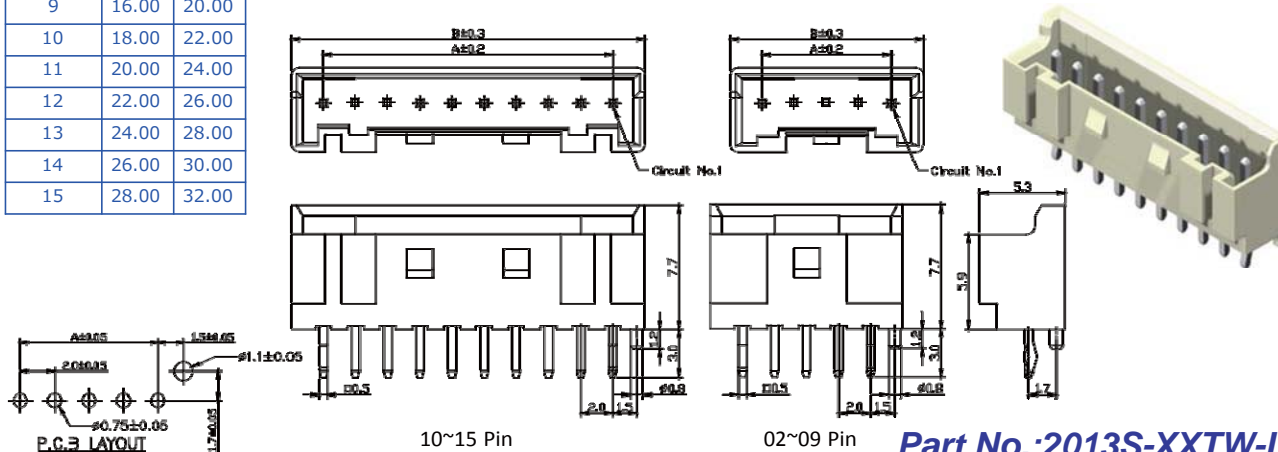


Part No.:2013H-XXW-L



No. of Contacts	Dimensions	
	A	B
2	2.00	6.00
3	4.00	8.00
4	6.00	10.00
5	8.00	12.00
6	10.00	14.00
7	12.00	16.00
8	14.00	18.00
9	16.00	20.00
10	18.00	22.00
11	20.00	24.00
12	22.00	26.00
13	24.00	28.00
14	26.00	30.00
15	28.00	32.00

Part No.:2013R-XXTW-L



Part No.:2013S-XXTW-L