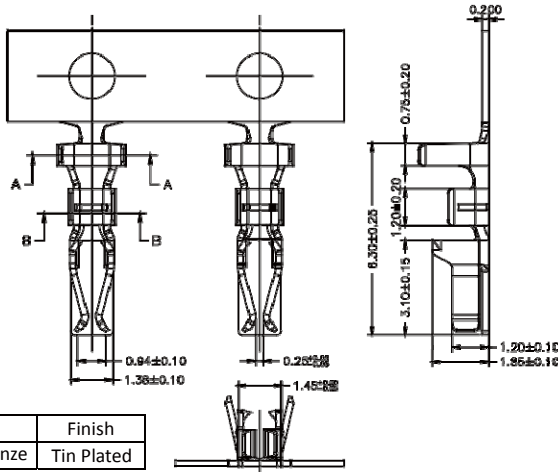
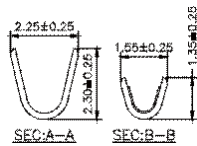


## 2.0mm Terminal / Housing / Wafer R/A / Straight Type

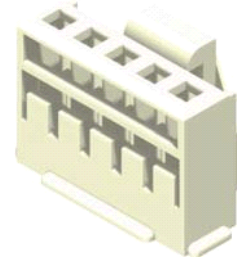
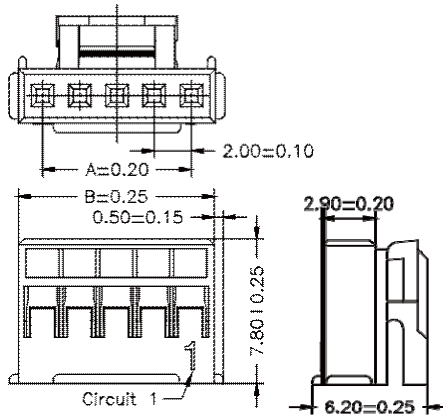
Specifications  
 Current Rating: 3A AC,DC  
 Voltage Rating: 250V AC,DC  
 Temperature Range: -25°C to +85°C  
 Contact Resistance: 30mΩ Max  
 Insulation Resistance: 1000MΩ Min  
 Withstanding Voltage: 1000V AC/minute  
 Terminal: Brass / Gold Plated  
 Material: Housing: Nylon 66, UL94V-0  
 Wafer: Nylon 46, UL94V-0



Wire Range	InsulaØon O.D.	Material	Finish
#22-#30	1.45mm(Max)	Phosphor Bronze	Tin Plated

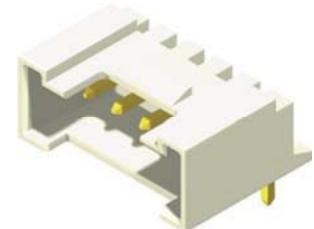
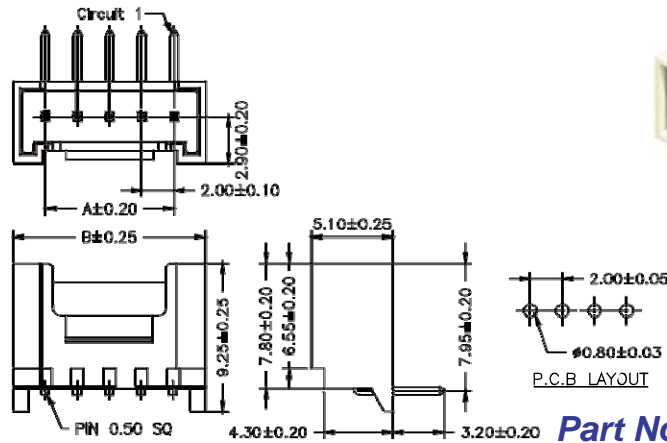
**Part No.:2211-T-L**

No. of Contacts	Dimensions	
	A	B
2	2.00	4.60
3	4.00	6.60
4	6.00	8.60
5	8.00	10.60
6	10.00	12.60
7	12.00	14.60
8	14.00	16.60
9	16.00	18.60
10	18.00	20.60
11	20.00	22.60
12	22.00	24.60
13	24.00	26.60
14	26.00	28.60
15	28.00	30.60
16	30.00	32.60

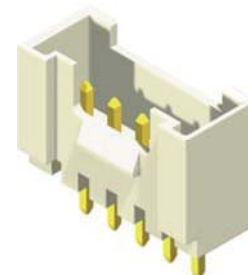
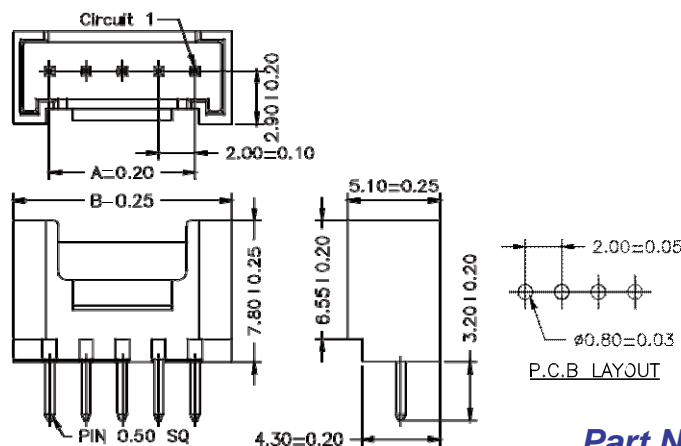


**Part No.:2008H-XXW-L**

No. of Contacts	Dimensions	
	A	B
2	2.00	6.00
3	4.00	8.00
4	6.00	10.00
5	8.00	12.00
6	10.00	14.00
7	12.00	16.00
8	14.00	18.00
9	16.00	20.00
10	18.00	22.00
11	20.00	24.00
12	22.00	26.00
13	24.00	28.00
14	26.00	30.00
15	28.00	32.00
16	30.00	34.00



**Part No.:2008R-XXTW-U**



**Part No.:2008S-XXTW-U**