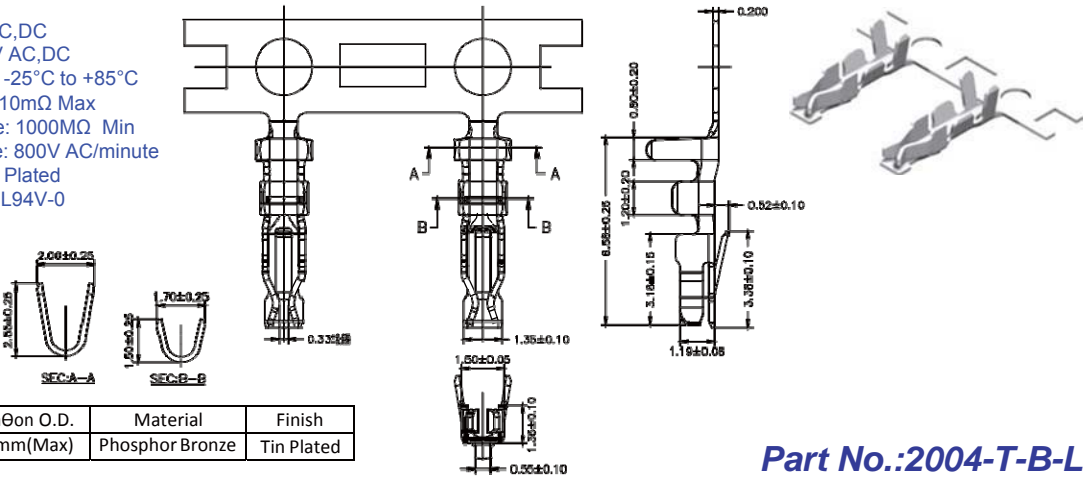


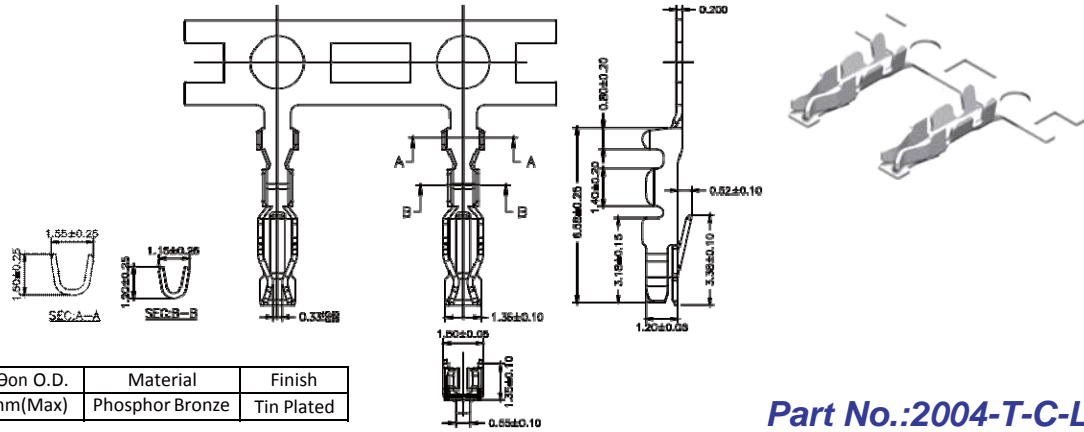
2.0mm Terminal / Housing / Wafer R/A / Straight Type

Specifications
 Current Rating: 3A AC,DC
 Voltage Rating: 250V AC,DC
 Temperature Range: -25°C to +85°C
 Contact Resistance: 10mΩ Max
 Insulation Resistance: 1000MΩ Min
 Withstanding Voltage: 800V AC/minute
 Terminal: Brass / Tin Plated
 Material: Nylon 66, UL94V-0



Wire Range	Insulation O.D.	Material	Finish
#22-#28	1.50mm(Max)	Phosphor Bronze	Tin Plated

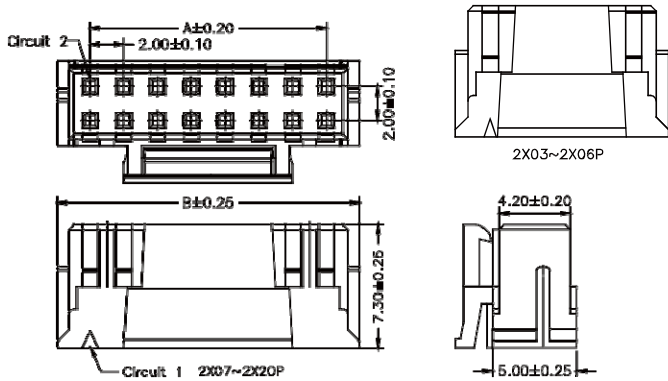
Part No.:2004-T-B-L



Wire Range	Insulation O.D.	Material	Finish
#28-#32	0.90mm(Max)	Phosphor Bronze	Tin Plated

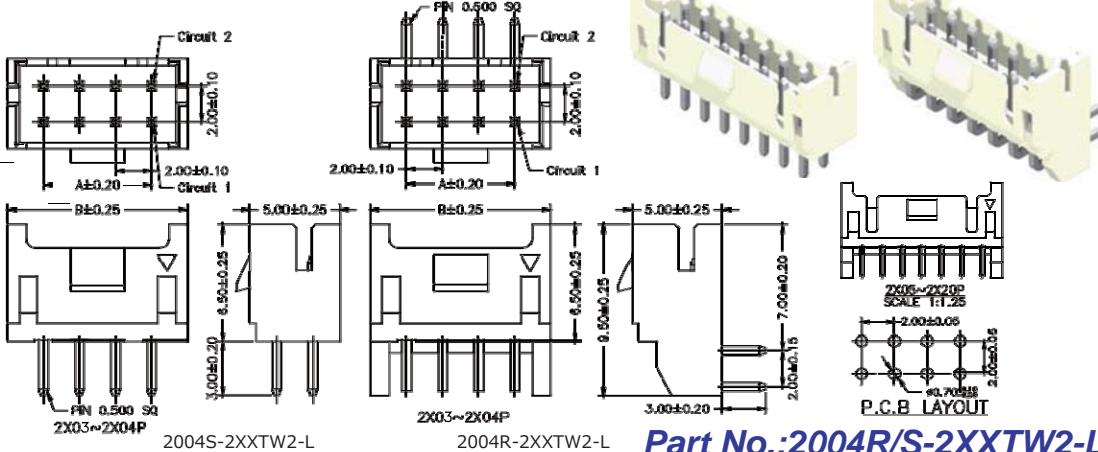
Part No.:2004-T-C-L

No. of Contacts	Dimensions	
	A	B
2x3	4.00	7.90
2x4	6.00	9.90
2x5	8.00	11.90
2x6	10.00	13.90
2x7	12.00	15.90
2x8	14.00	17.90
2x9	16.00	19.90
2x10	18.00	21.90
2x11	20.00	23.90
2x12	22.00	25.90
2x13	24.00	27.90
2x14	26.00	29.90
2x15	28.00	31.90
2x16	30.00	33.90
2x17	32.00	35.90
2x18	34.00	37.90
2x19	36.00	39.90
2x20	38.00	41.90



Part No.:2004H-2XXTW2-L

No. of Contacts	Dimensions	
	A	B
2x3	4.00	8.00
2x4	6.00	10.00
2x5	8.00	12.00
2x6	10.00	14.00
2x7	12.00	16.00
2x8	14.00	18.00
2x9	16.00	20.00
2x10	18.00	22.00
2x11	20.00	24.00
2x12	22.00	26.00
2x13	24.00	28.00
2x14	26.00	30.00
2x15	28.00	32.00
2x16	30.00	34.00
2x17	32.00	36.00
2x18	34.00	38.00
2x19	36.00	40.00
2x20	38.00	42.00



Part No.:2004R/S-2XXTW2-L