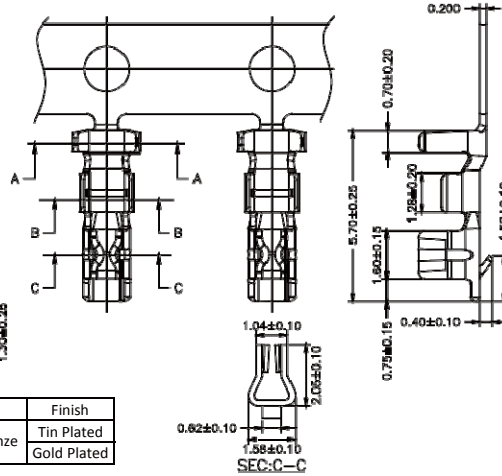
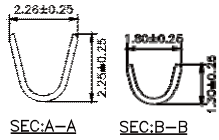


2.0mm Terminal / Housing / Wafer Right Angle / Straight Type

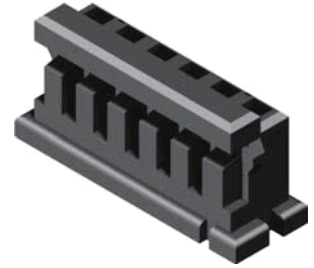
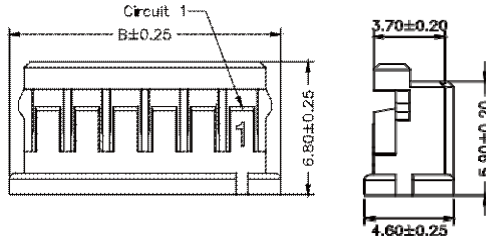
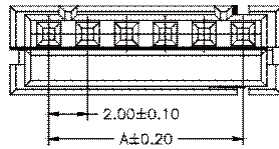
Specifications
 Current Rating: 3A AC,DC
 Voltage Rating: 250V AC,DC
 Temperature Range: -25°C to +85°C
 Contact Resistance: 30mΩ Max
 Insulation Resistance: 1000MΩ Min
 Withstanding Voltage: 650V AC/minute
 Terminal: Brass / Gold Plated
 Material: Housing: Nylon 66, UL94V-0
 Wafer: Nylon 6T, UL94V-0



Part No.	Wire Range	Insulation O.D.	Material	Finish
2003-TTP-L	#22-#28	1.45mm(Max)	Phosphor Bronze	Tin Plated
2003-TGP-L	#22-#28	1.45mm(Max)	Phosphor Bronze	Gold Plated

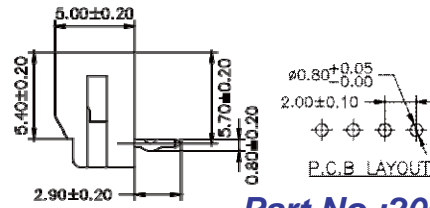
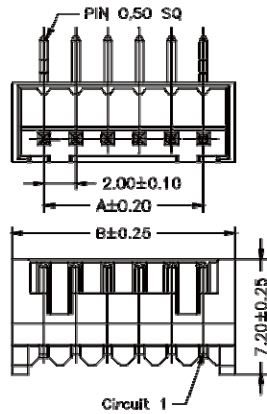
Part No.:2003-T-L

Housing Wafer Terminal

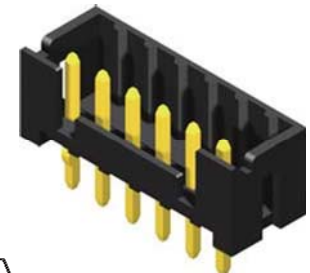
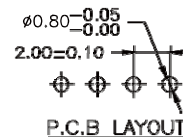
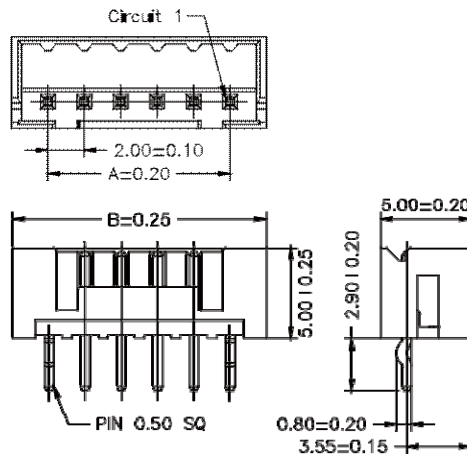


Part No.:2003H-XXB-L

No. of Contacts	Dimensions	
	A	B
2	2.00	6.00
3	4.00	8.00
4	6.00	10.00
5	8.00	12.00
6	10.00	14.00
7	12.00	16.00
8	14.00	18.00
9	16.00	20.00
10	18.00	22.00
11	20.00	24.00
12	22.00	26.00
13	24.00	28.00
14	26.00	30.00
15	28.00	32.00



Part No.:2003R-XXGB-U



Part No.:2003S-XXGB-U