

# TACT SWITCH

6X6 tact switch SMD

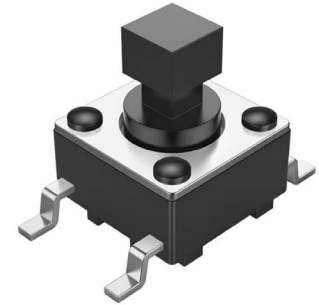
**TOPTTEK**<sup>®</sup>  
HARDWARE ELECTRONIC COMPONENTS



## SPECIFICATION MODEL: SWTA6647-A-X-XXX-X

1	Operating Temperature	-30°C to +85°C
2	Rating	50mA, 12V DC
3	Insulation Resistance	100MΩ min. 100V DC
4	Dielectric Strength	250V AC for 1 min.
5	Contact Resistance	100mΩ max.
6	Life	50.000, 100.000 or 300.000 Cycles
7	Travel	0.25 ± 0.1mm
8	Operating Force	D:70 A:90 E:130 J:160 C:250 G:320 H:400 I:520gf

www.toptek-co.com

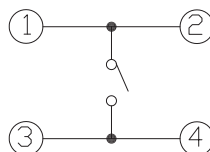
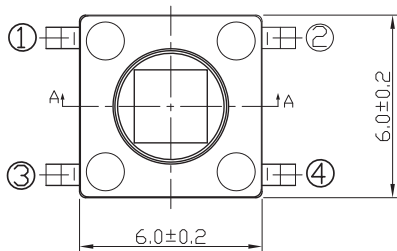


## ORDER INFORMATION

S W T A 6 6 4 7 - A - X - X

Stem Color  
B= Black  
W= White  
R= Red  
D= Dark Gray  
N= Brown  
S= Salmon

Operating Force  
D= 70gf  
A= 90gf  
E= 130gf  
J= 160gf  
C= 250gf  
G= 320gf  
H=400gf  
I= 520gf



CIRCUIT DIAGRAM

