

# MACHINE PIN HEADER

Machine Pin Header IC Straight Type 2.54mm



RoHS 2002/95/EC

### Specifications

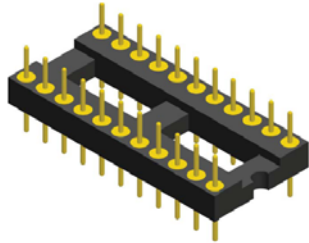
Current Rate: 3 AMP | Insulation Resistance:  $\geq 1000M\Omega$  at V=100V | Contact Resistance:  $\leq 4m\Omega$ /Contact | Dielectric Voltage: 60V AC for one minute | Operation Temperature: -40°C to +105°C

### Material

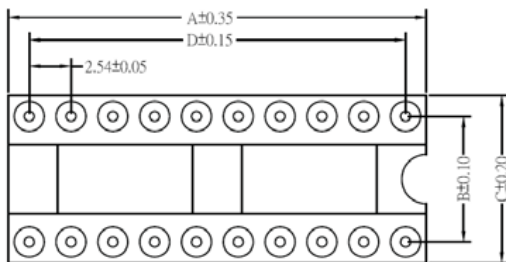
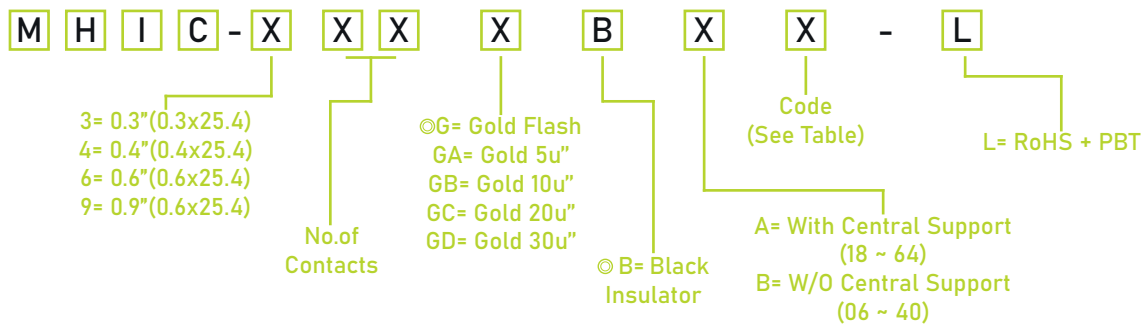
Insulator: Polyester, UL 94V-0 | © Standard: PBT | Terminal: Copper Alloy | Plated: Gold Plated



www.toptek-co.com



## ORDER INFORMATION



No. of Contacts	Dim. A	Dim. B	Dim. C	Dim. D	No. of Contacts	Dim. A	Dim. B	Dim. C	Dim. D
6	7.62	7.62	10.16	5.08	24	30.48	15.24	17.70	27.94
8	10.16	7.62	10.16	7.62	28	35.56	15.24	17.70	33.02
14	17.70	7.62	10.16	15.24	32	40.64	15.24	17.70	38.10
16	20.32	7.62	10.16	17.78	36	45.70	15.24	17.70	43.18
18	22.86	7.62	10.16	20.32	40	50.80	15.24	17.70	48.26
20	25.40	7.62	10.16	22.86	42	53.30	15.24	17.70	50.80
24	30.48	7.62	10.16	27.94	48	60.96	15.24	17.70	58.42
28	35.56	7.62	10.16	33.02	50	63.50	15.24	17.70	60.96
					52	66.04	22.86	17.70	63.50
No. of Contacts	Dim. A	Dim. B	Dim. C	Dim. D	No. of Contacts	Dim. A	Dim. B	Dim. C	Dim. D
20	25.40	10.16	12.60	22.86	50	63.50	22.86	25.30	60.96
22	27.94	10.16	12.60	25.40	52	66.04	22.86	25.30	63.50
24	30.48	10.16	12.60	27.94	64	81.20	22.86	25.30	78.74
28	35.56	10.16	12.60	33.02					
32	40.64	10.16	12.60	38.10					

Code
100
100A
1196
1220
1370

