

D SUB CONNECTORS

D-SUB H.D Right Angle Type



RoHS 2002/95/EC

Specifications

Current Rate: 3 AMP | Insulation Resistance: 1000MΩ Min. | Contact Resistance: 20mΩ Max. | Dielectric Voltage: 500V AC for one minute | Operation Temperature: -55°C to +105°C

Material

Contacts: Copper Alloy | Insulator: PBT UL 94V-0 Rated

TOPTTEK[®]

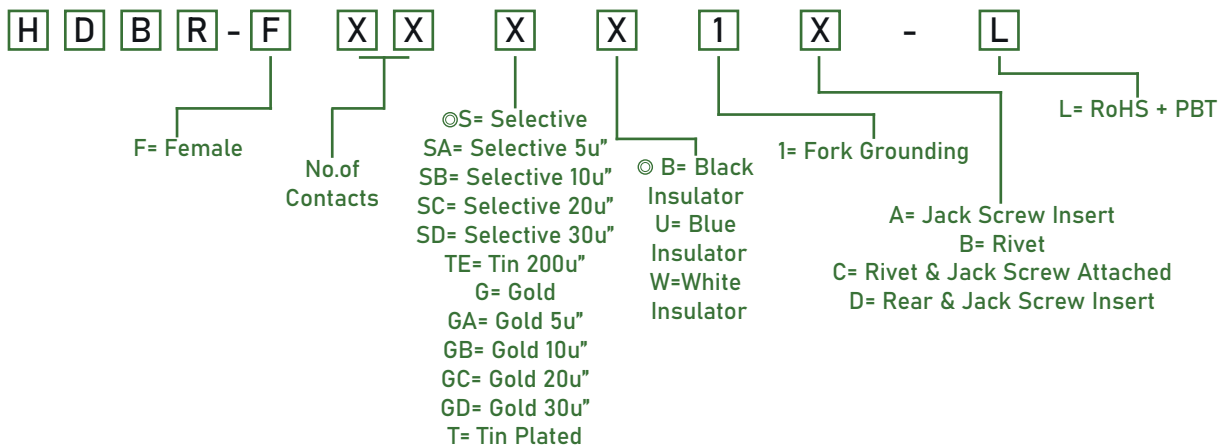
HARDWARE ELECTRONIC COMPONENTS



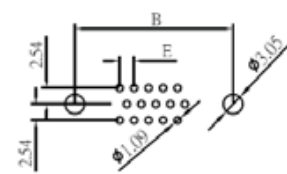
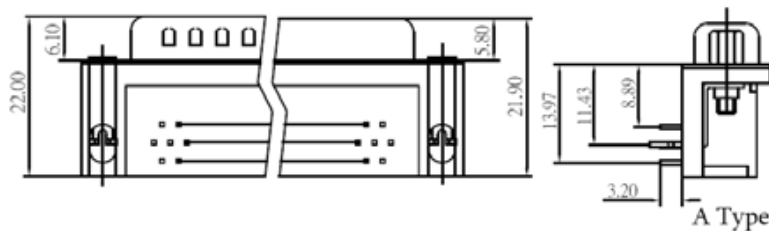
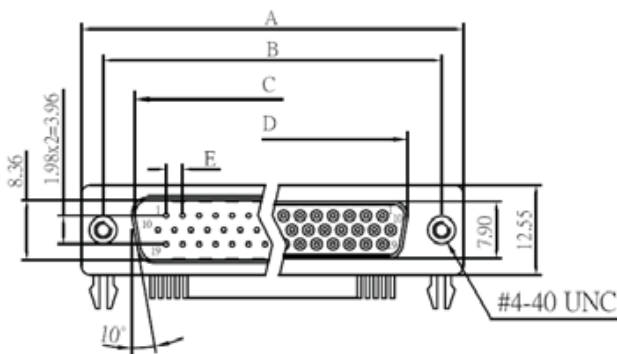
www.toptek-co.com



ORDER INFORMATION



No. of Contacts	Dim. A	Dim. B	Dim. C	Dim. D	Dim. E
15	30.81	24.99	16.92	16.33	2.29
26	39.14	33.32	25.50	24.66	2.29
44	53.04	47.04	38.96	38.38	2.29
62	69.32	63.50	55.42	54.84	2.41



Female
Recommended PCB Layout
(PCB TOLERANCE ±0.05)