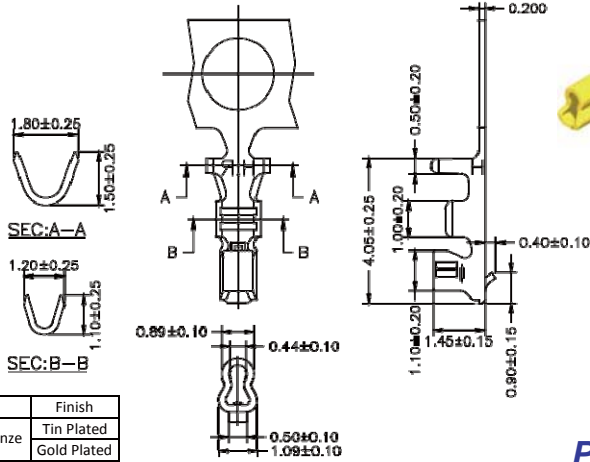


## 1.5mm Terminal / Housing / Wafer SMT Straight / SMT R/A Type

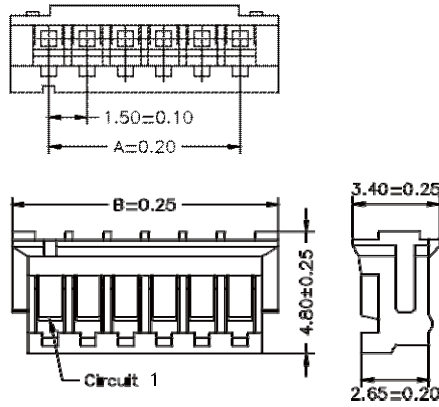
Specifications  
 Current Rating: 1A AC,DC  
 Voltage Rating: 100V AC,DC  
 Temperature Range: -25°C to +85°C  
 Contact Resistance: 20mΩ Max  
 Insulation Resistance: 500MΩ Min  
 Withstanding Voltage: 500V AC/minute  
 Terminal: Brass / Gold Plated  
 Solder Tabs: Brass / Gold Plated  
 Material: Housing: Nylon 66, UL94V-0  
 Wafer: Nylon 6T, UL94V-0



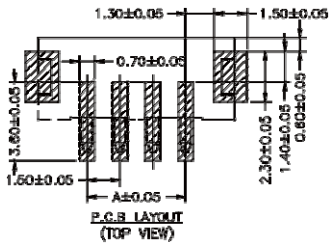
Part No.	Wire Range	Insulaθon O.D.	Material	Finish
1500-TTP-L	#26-#32	1.10mm(Max)	Phosphor Bronze	Tin Plated
1500-TGP-L				Gold Plated

**Part No.:1500-T-L**

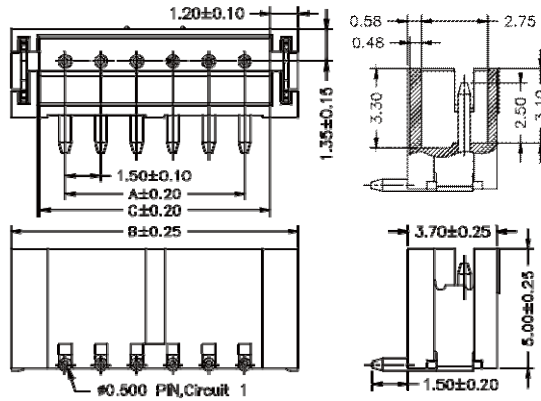
No. of Contacts	Dimensions	
	A	B
2	1.50	4.50
3	3.00	6.00
4	4.50	7.50
5	6.00	9.00
6	7.50	10.50
7	9.00	12.00
8	10.50	13.50
9	12.00	15.00
10	13.50	16.50
11	15.00	18.00
12	16.50	19.50
13	18.00	21.00



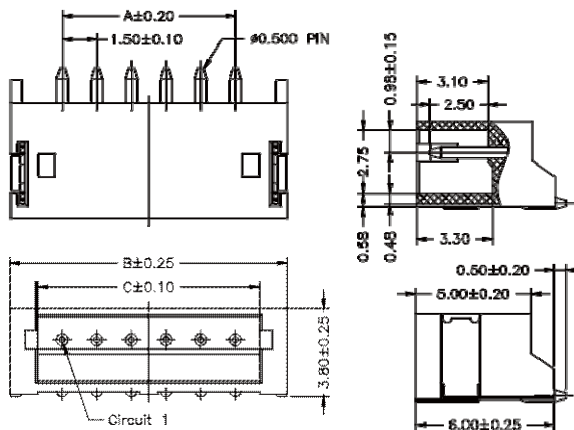
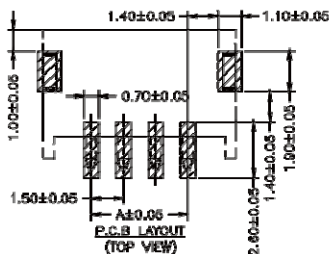
**Part No.:1500H-XXW-L**



No. of Contacts	Dimensions		
	A	B	C
2	1.50	6.00	3.60
3	3.00	7.50	5.10
4	4.50	9.00	6.60
5	6.00	10.50	8.10
6	7.50	12.00	9.60
7	9.00	13.50	11.10
8	10.50	15.00	12.60
9	12.00	16.50	14.10
10	13.50	18.00	15.60
11	15.00	19.50	17.10
12	16.50	21.00	18.60
13	18.00	22.50	20.10



**Part No.:1500MS-XXGW-U**



**Part No.:1500MR-XXGW-U**