

▶ D SUB CONNECTORS

D-SUB H.D Solder Type



Specifications

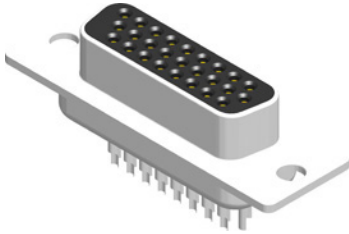
Current Rate: 3 AMP | Insulation Resistance: 1000MΩ Min. | Contact Resistance: 20mΩ Max. |
Dielectric Voltage: 500V AC for one minute | Operation Temperature: -55°C to +105°C

Material

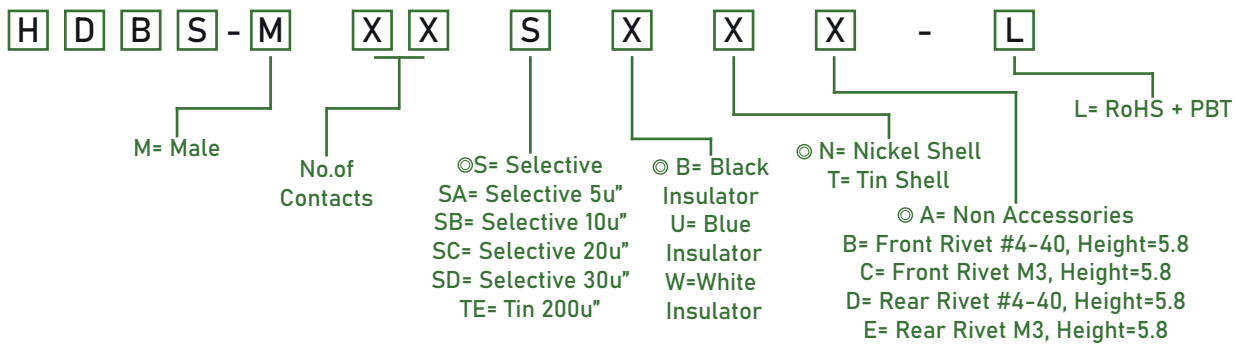
Contacts: Copper Alloy | Insulator: PBT UL 94V-0 Rated

TOPTTEK®
HARDWARE ELECTRONIC COMPONENTS

www.toptek-co.com



▶ ORDER INFORMATION



| No. of Contacts | Dim. A | Dim. B | Dim. C | Dim. D | Dim. E | Dim. F |
|-----------------|--------|--------|--------|--------|--------|--------|
| 15 | 30.81 | 24.99 | 16.92 | 16.33 | 2.29 | 19.20 |
| 26 | 39.14 | 33.32 | 25.50 | 24.66 | 2.29 | 27.70 |
| 44 | 53.04 | 47.04 | 38.96 | 38.38 | 2.29 | 41.10 |
| 62 | 69.32 | 63.50 | 55.42 | 54.84 | 2.41 | 57.30 |

