

# TACT SWITCH

6X6 tact switch

**TOPTTEK**<sup>®</sup>

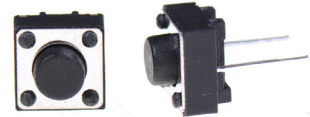
HARDWARE ELECTRONIC COMPONENTS



## SPECIFICATION MODEL: SWTA6601-C-X-XXX-X

www.toptek-co.com

1	Operating Temperature	-30°C to +85°C
2	Rating	50mA, 12V DC
3	Insulation Resistance	100MΩ min. 100V DC
4	Dielectric Strength	250V AC for 1 min.
5	Contact Resistance	100mΩ max.
6	Life	100.000 or 300.000 Cycles
7	Travel	0.25 ± 0.1mm
8	Operating Force	A:90 E:130 J:160 C:250



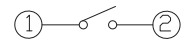
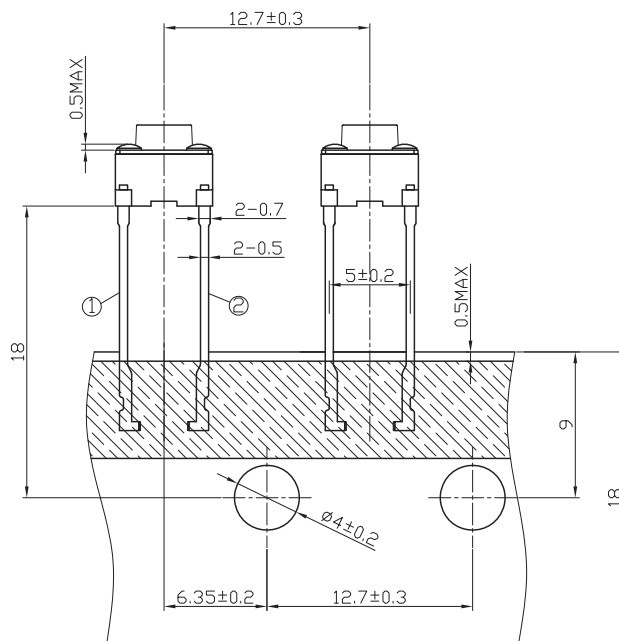
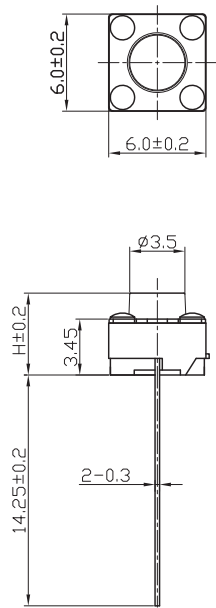
## ORDER INFORMATION

S W T A 6 6 0 1 - C - X X X - X - X

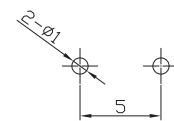
Switch Height  
 043= 4.3mm  
 050= 5.0mm  
 070= 7.0mm  
 073= 7.3mm  
 095= 9.5mm

Stem Color  
 B= Black  
 W= White  
 R= Red  
 N= Brown

Operating Force  
 A= 90gf  
 E= 130gf  
 J= 160gf  
 C= 250gf



CIRCUIT DIAGRAM



P.C.B LAND DIMENSION