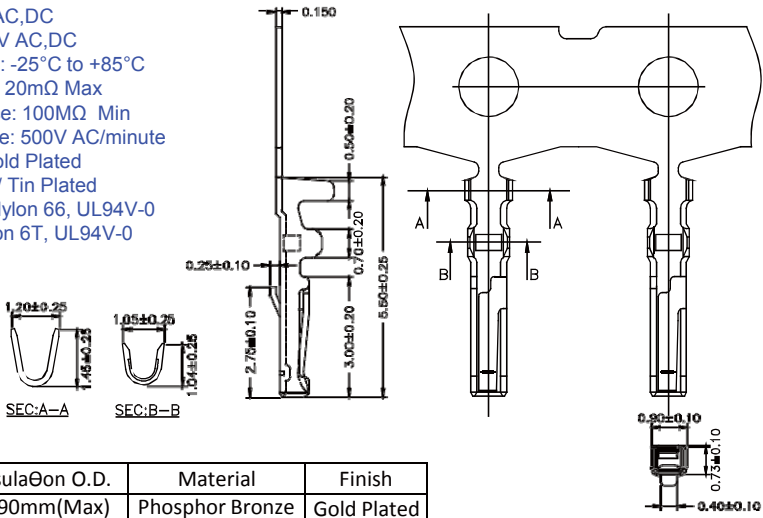


1.25mm Terminal / Housing / Wafer SMT Right Angle Type

Specifications  
 Current Rating: 1A AC,DC  
 Voltage Rating: 125V AC,DC  
 Temperature Range: -25°C to +85°C  
 Contact Resistance: 20mΩ Max  
 Insulation Resistance: 100MΩ Min  
 Withstanding Voltage: 500V AC/minute  
 Terminal: Brass / Gold Plated  
 Solder Tabs: Brass / Tin Plated  
 Material: Housing: Nylon 66, UL94V-0  
 Wafer: Nylon 6T, UL94V-0

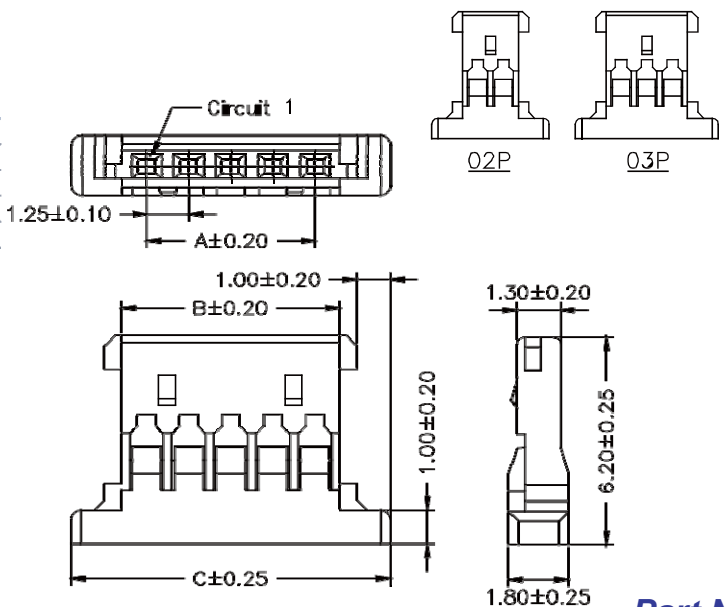


Wire Range	Insulation O.D.	Material	Finish
#28-#32	0.90mm(Max)	Phosphor Bronze	Gold Plated

Part No.:1254-T-L

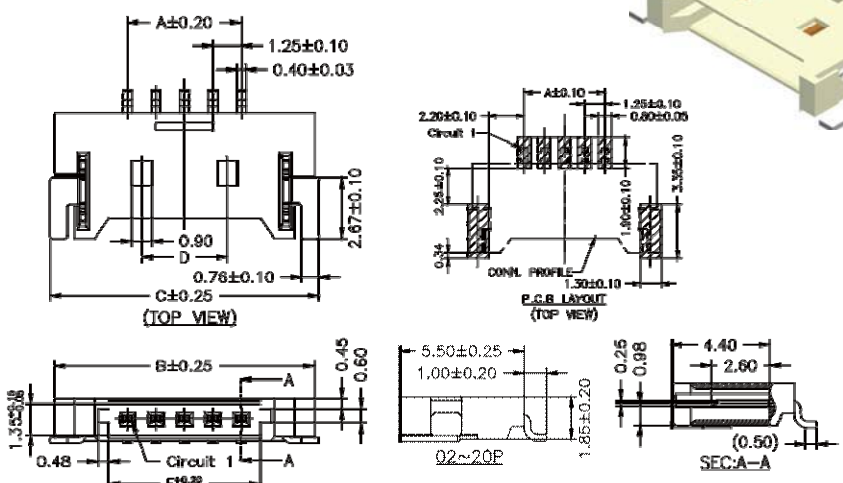
Housing Wafer Terminal

No. of Contacts	Dimensions		
	A	B	C
2	1.25	2.72	5.72
3	2.50	3.97	6.97
4	3.75	5.22	8.22
5	5.00	6.47	9.47
6	6.25	7.72	10.72
7	7.50	8.97	11.97
8	8.75	10.22	13.22
9	10.00	11.47	14.47
10	11.25	12.72	15.72
11	12.50	13.97	16.97
12	13.75	15.22	18.22
13	15.00	16.47	19.47
14	16.25	17.72	20.72
15	17.50	18.97	21.97
16	18.75	20.22	23.22
20	23.75	25.22	28.22
30	36.25	37.72	40.72



Part No.:1254H-XXW-L

No. of Contacts	Dimensions				
	A	B	C	D	E
2	1.25	7.65	8.07	- - -	2.90
3	2.50	8.90	9.32	- - -	4.15
4	3.75	10.15	10.57	2.50	5.40
5	5.00	11.40	11.82	3.75	6.65
6	6.25	12.65	13.07	5.00	7.90
7	7.50	13.90	14.32	6.25	9.15
8	8.75	15.15	15.57	7.50	10.40
9	10.00	16.40	16.82	8.75	11.65
10	11.25	17.65	18.07	10.00	12.90
11	12.50	18.90	19.32	11.25	14.15
12	13.75	20.15	20.57	12.50	15.40
13	15.00	21.40	21.82	13.75	16.65
14	16.25	22.65	23.07	15.00	17.90
15	17.50	23.90	24.32	16.25	19.15
16	18.75	25.15	25.57	17.50	20.40
20	23.75	30.15	30.57	22.50	25.40
30	36.25	42.65	43.07	22.50	37.90



Part No.:1254MR-XXGW-U