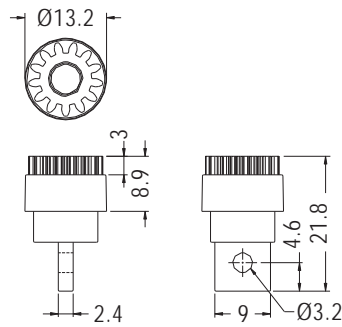


DAMPER GEAR



- ◆ GEAR MATERIAL:POM (UL) 94HB
- ◆ BODY MATERIAL:PC (UL) 94V-2
- ◆ COLOR:BLACK
- ◆ UNIT:mm



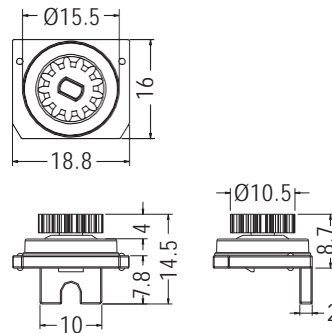
PART NO	PACKAGE
DP023A	500

MODULE	0.8
PITCH CIRCLE DIAMETER	Ø10.4
TEETH NUMBER	13
PRESSURE ANGLE	20°

10

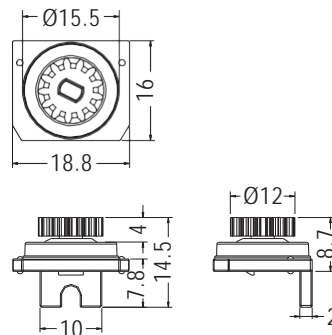
PIN TERMINAL

- ◆ GEAR MATERIAL:POM (UL) 94HB
- ◆ BODY MATERIAL:ABS (UL) 94HB
- ◆ COLOR:BLACK
- ◆ UNIT:mm



PART NO	PACKAGE
DP016A	500

DP016A MODULE	0.7
PITCH CIRCLE DIAMETER	Ø9.1
TEETH NUMBER	13
PRESSURE ANGLE	20°

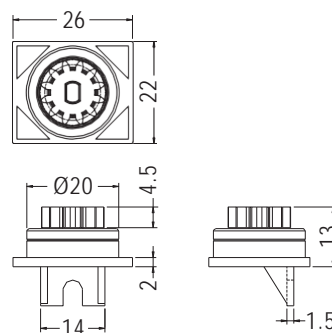


PART NO	PACKAGE
DP019A	500

DP019A MODULE	0.8
PITCH CIRCLE DIAMETER	Ø10.4
TEETH NUMBER	13
PRESSURE ANGLE	20°

DAMPER GEAR

- ◆ GEAR MATERIAL:POM(UL) 94HB
- ◆ BODY MATERIAL:ABS (UL) 94HB
- ◆ COLOR:BLACK
- ◆ UNIT:mm



PART NO	PACKAGE
DP028A	500

MODULE	1.0
PITCH CIRCLE DIAMETER	Ø12.0
TEETH NUMBER	12
PRESSURE ANGLE	20°

