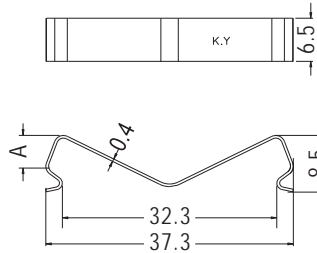


TR. CLAMP

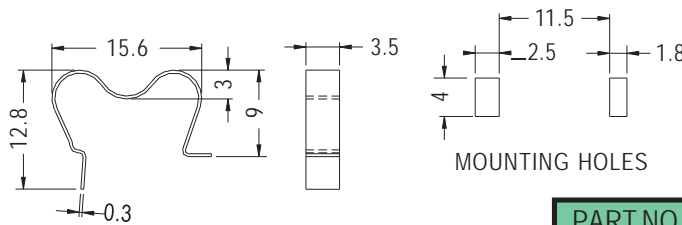
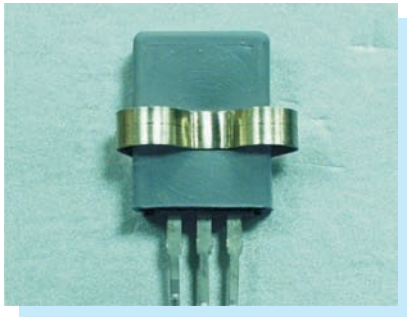
- ◆ MATERIAL:SUS304
- ◆ UNIT:mm



PART NO	A	PACKAGE
TRMC-121	5.0	1000
TRMC-126	4.72	

TR.SHEET CLAMP

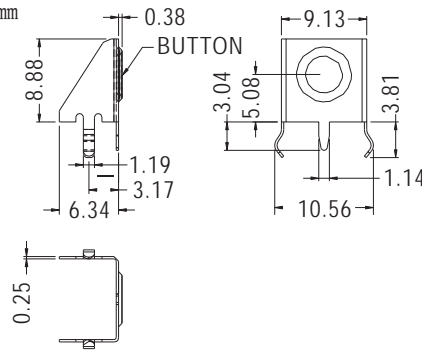
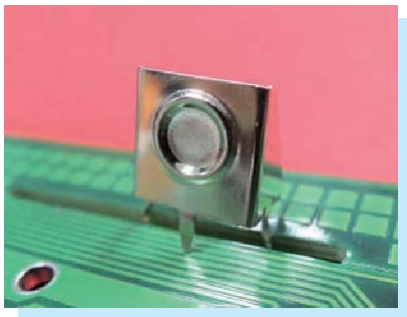
- ◆ MATERIAL:SUS304
- ◆ COLOR:SILVER
- ◆ UNIT:mm



PART NO	PACKAGE
TO-220ST	1000

POSITIVE AA BATTERY CONTACT

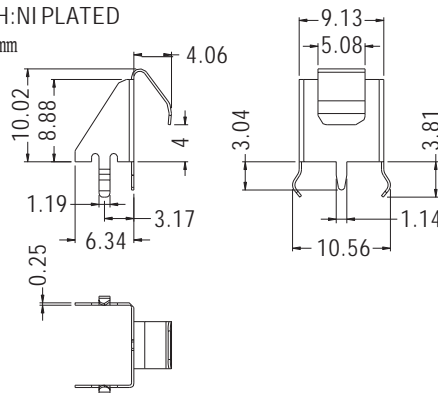
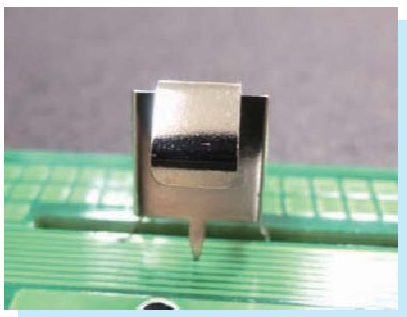
- ◆ MATERIAL:SPRING STEEL
- ◆ FINISH:NI PLATED
- ◆ UNIT:mm



PART NO	PACKAGE
PCB-67	1000

POSITIVE AA BATTERY CONTACT

- ◆ MATERIAL:SPRING STEEL
- ◆ FINISH:NI PLATED
- ◆ UNIT:mm



PART NO	PACKAGE
PCB-68	1000

