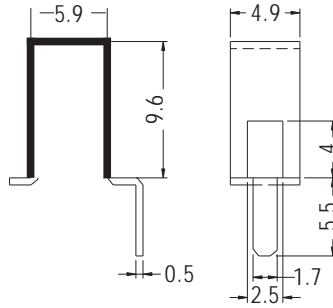
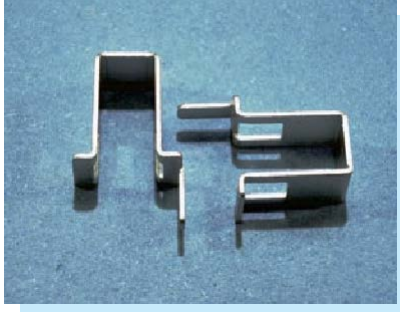


CLAMP

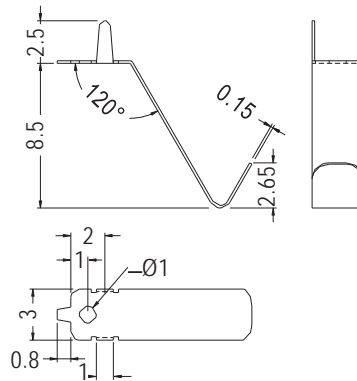
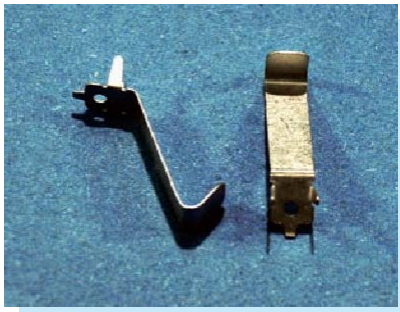
- ◆ MATERIAL:TIN PLATED SPCC
- ◆ UNIT:mm



PART NO	PACKAGE
TRMC-10	1000

CLAMP

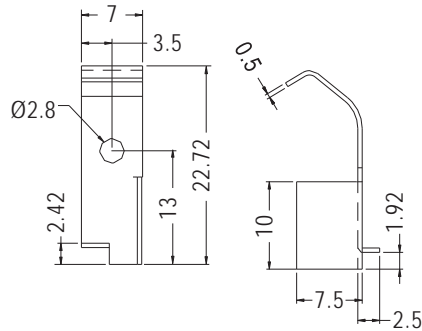
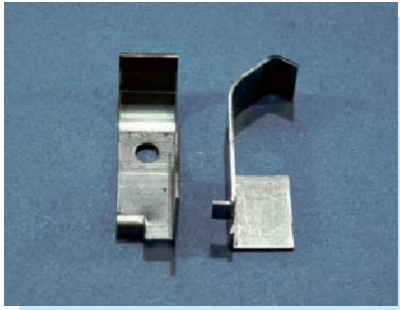
- ◆ MATERIAL:TIN PLATED PHOSPHOR BRONZE
- ◆ UNIT:mm



PART NO	PACKAGE
TRMC-11	2000

CLAMP

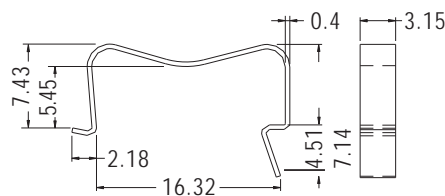
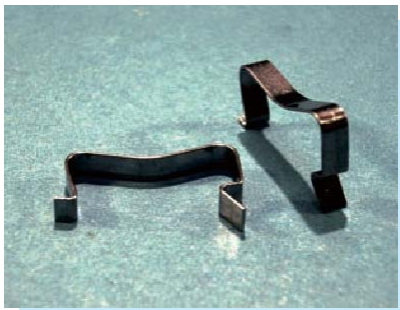
- ◆ MATERIAL:SUS301
- ◆ UNIT:mm



PART NO	PACKAGE
TRMC-12	1000

TR. CLAMP

- ◆ MATERIAL:SUS301
- ◆ UNIT:mm



PART NO	PACKAGE
TRMC-8	1000

