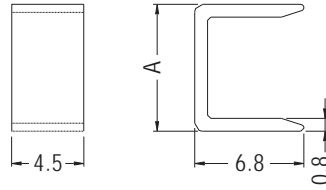


# TRANSISTOR CLIP

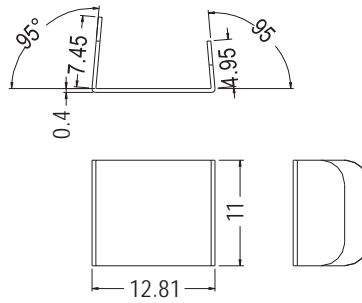
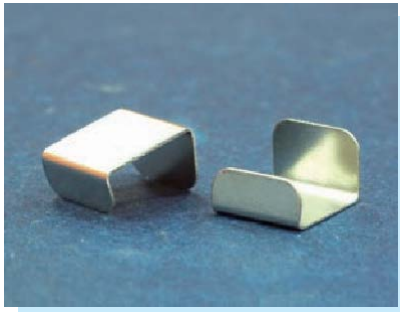
- ◆ MATERIAL:PBT (UL)
- ◆ FLAME CLASS:94V-0
- ◆ COLOR:NATURAL/BLACK
- ◆ UNIT:mm



PART NO	A	PACKAGE
TRCMP-3	7.9	1000
TRCMP-4	8.6	

# TR. CLAMP

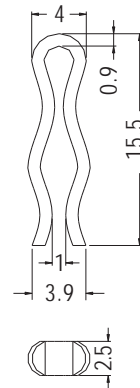
- ◆ MATERIAL:SUS
- ◆ UNIT:mm



PART NO	PACKAGE
TRMC-135	1000

# CLAMP

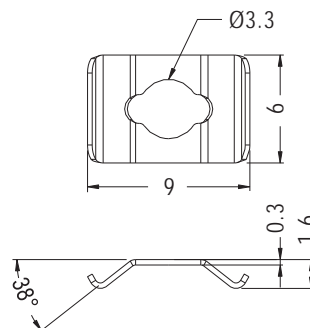
- ◆ MATERIAL:TIN PLATED BRASS
- ◆ UNIT:mm



PART NO	PACKAGE
TRMC-53	1000

# CLAMP

- ◆ MATERIAL:SK7
- ◆ FINISH:COATING-ZI
- ◆ UNIT:mm



PART NO	PACKAGE
TRMC-68	1000

