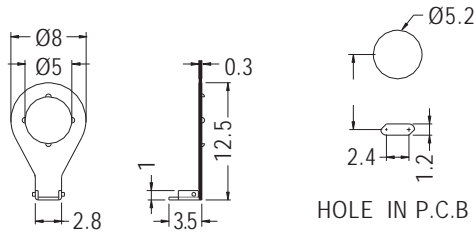


GROUND TERMINAL

- ◆ MATERIAL:PHOSPHOR BRONZE
NICKEL PLATED
- ◆ UNIT:mm

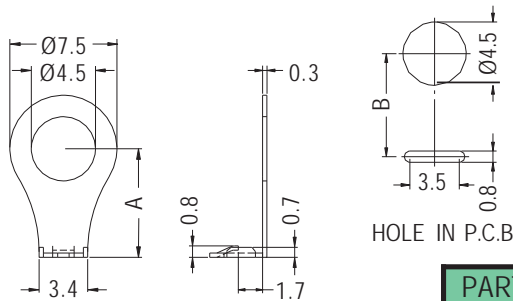


PART NO	PACKAGE
GND-20	2000

10

GROUND TERMINAL

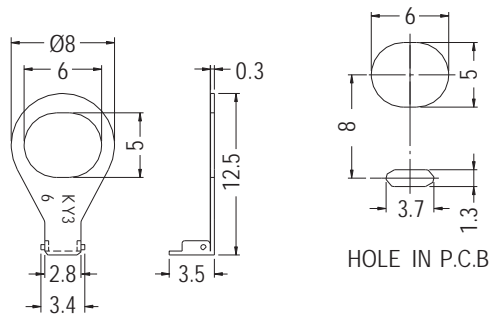
- ◆ MATERIAL:TIN PLATED BRASS
- ◆ UNIT:mm



PART NO	A	B	PACKAGE
GND-32	7.9	7.6	1000
GND-51	7.6	7.3	

GROUND TERMINAL

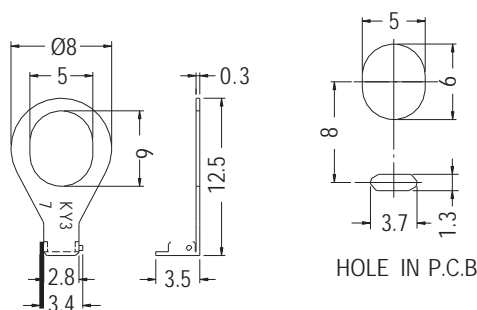
- ◆ MATERIAL:NICKEL PLATED BRASS
- ◆ UNIT:mm



PART NO	PACKAGE
GND-36	1000

GROUND TERMINAL

- ◆ MATERIAL:NICKEL PLATED BRASS
- ◆ UNIT:mm



PART NO	PACKAGE
GND-37	1000

