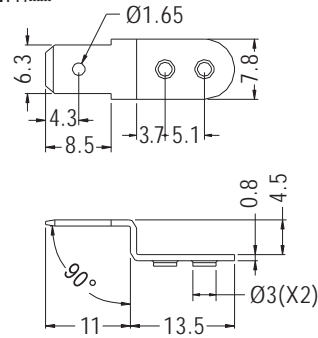


P.C.B TERMINAL

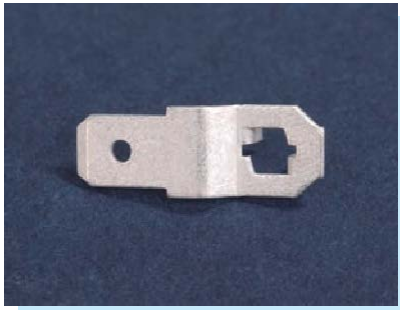


- ◆ MATERIAL: BRASS
- ◆ FINISH: TIN PLATED
- ◆ UNIT: mm

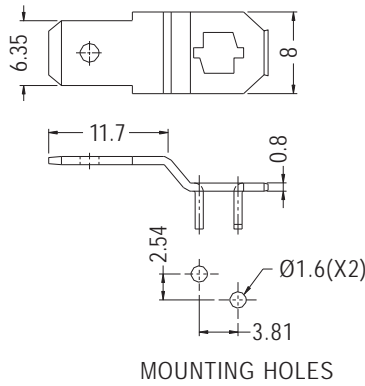


PART NO	PACKAGE
PC1L250-4	1000

P.C.B TERMINAL



- ◆ MATERIAL: TIN PLATED BRASS
- ◆ UNIT: mm

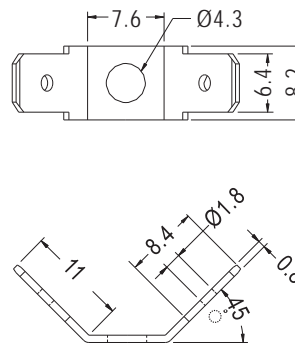


PART NO	PACKAGE
PC1L250-7	1000

P.C.B TERMINAL



- ◆ MATERIAL: TIN PLATED BRASS
- ◆ UNIT: mm

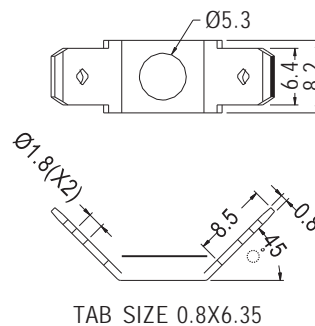


PART NO	PACKAGE
PC2L250	1000

P.C.B TERMINAL



- ◆ MATERIAL: TIN PLATED BRASS
- ◆ UNIT: mm



PART NO	PACKAGE
PC2L25005	1000

