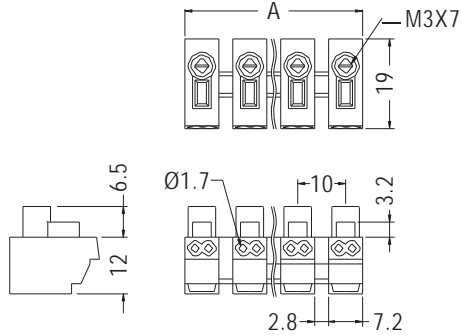


# TERMINAL BLOCK



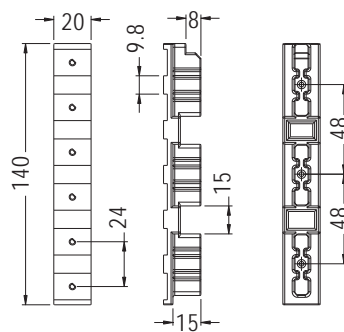
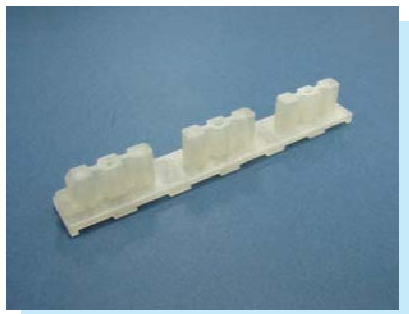
- ◆ HOUSING MATERIAL: NYLON 66 (UL) 94V-2
- ◆ WORKING TEMPERATURE: 105 °C
- ◆ COLOR: NATURAL
- ◆ UNIT: mm



PART NO	
PA11-2P	17.3
PA11-3P	27.5

# TERMINAL BLOCK

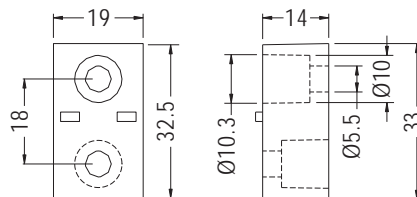
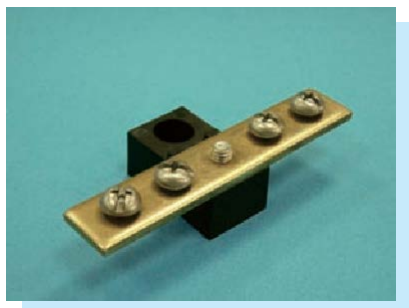
- ◆ MATERIAL: PC (UL)
- ◆ FLAME CLASS: 94V-2/94V-0
- ◆ COLOR: NATURAL
- ◆ UNIT: mm



PART NO	PACKAGE
TERBL-6	50

# TERMINAL BLOCK

- ◆ MATERIAL: PBT (UL)
- ◆ FLAME CLASS: 94V-0
- ◆ COLOR: BLACK
- ◆ UNIT: mm



PART NO	PACKAGE
TERBL-33	200

