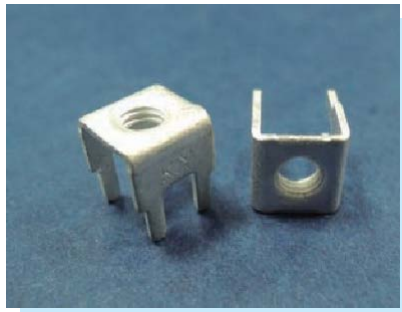
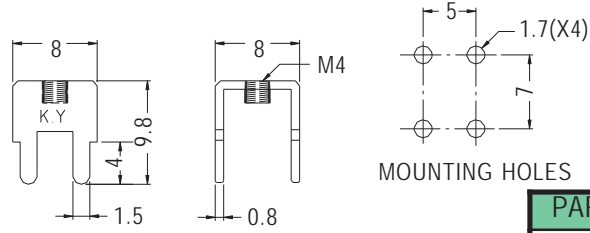


P.C.B TERMINAL



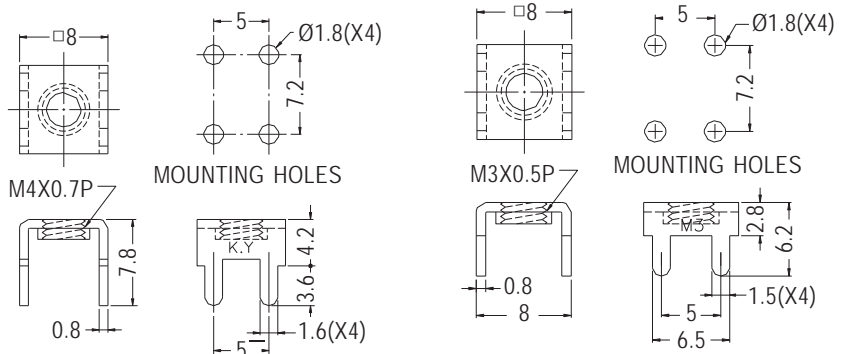
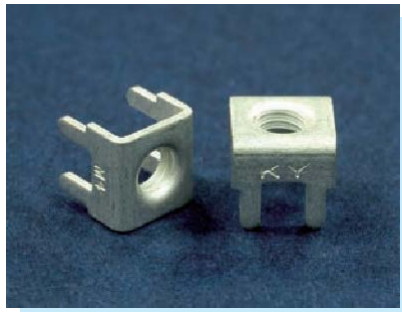
- ◆ MATERIAL:TIN PLATED BRASS
- ◆ UNIT:mm



PART NO	PACKAGE
PCB-66	1000

P.C.B TERMINAL

- ◆ MATERIAL:BRASS
- ◆ FINISH:TIN PLATED
- ◆ UNIT:mm

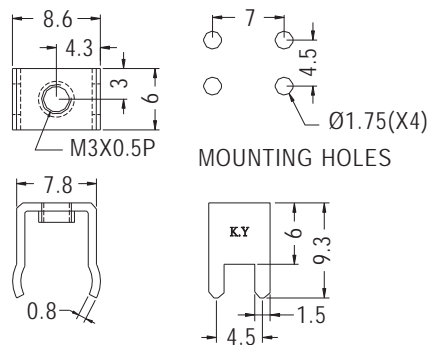


PART NO	PACKAGE
PCB-71	1000

PART NO	PACKAGE
PCB-75	1000

P.C.B TERMINAL

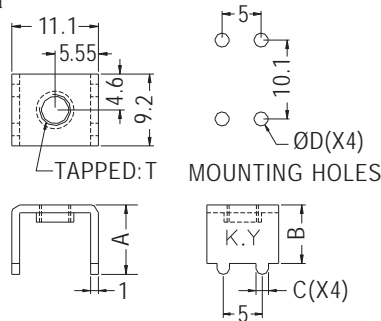
- ◆ MATERIAL:TIN PLATED BRASS
- ◆ UNIT:mm



PART NO	PACKAGE
PCB-17	1000

P.C.B TERMINAL

- ◆ MATERIAL:TIN PLATED BRASS
- ◆ UNIT:mm



PART NO	A	B	C	D	T	PACKAGE
PCB-18	8.9	7.5	1.6	1.8	M3X0.5P	1000

