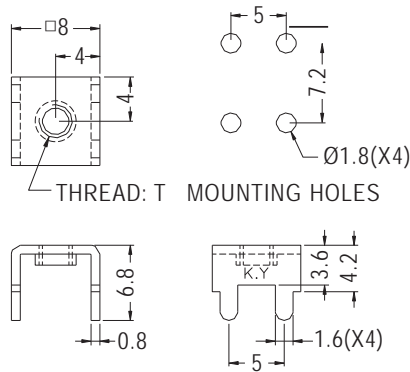


P.C.B TERMINAL



- ◆ MATERIAL:TIN PLATED BRASS
- ◆ UNIT:mm

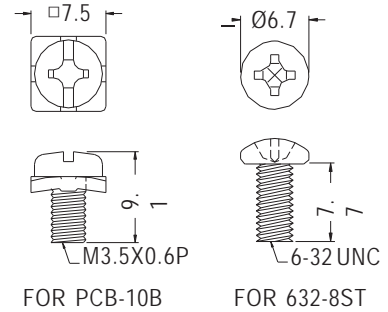
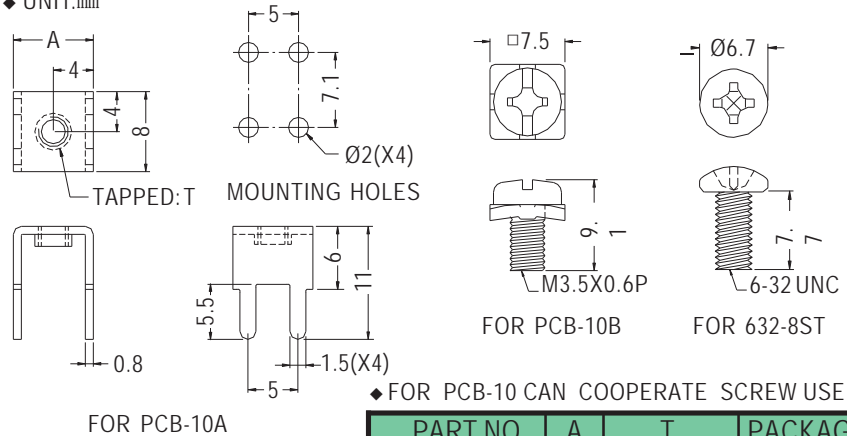


| PART NO | T | PACKAGE |
|------------|----------|---------|
| PCB-9 | M3X0.5P | 1000 |
| PCB-9(M4) | M4X0.7P | |
| PCB-9(632) | 6-32 UNC | |

P.C.B TERMINAL



- ◆ MATERIAL:TIN PLATED BRASS
- ◆ UNIT:mm



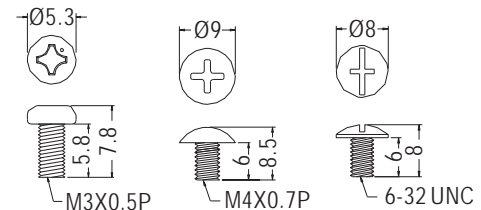
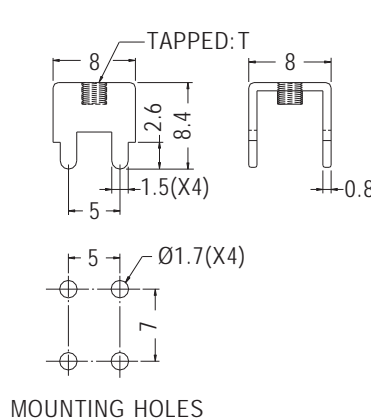
◆ FOR PCB-10 CAN COOPERATE SCREW USE

| PART NO | A | T | PACKAGE |
|--------------|----------------------|-----------|---------|
| PCB-10A(M3) | 8.0 | M3X0.5P | 1000 |
| PCB-10A | 7.9 | M3.5X0.6P | |
| PCB-10AM4 | 7.9 | M4X0.7P | |
| PCB-10A(632) | 8.0 | 6-32 UNC | |
| (ASSY) | | | |
| PCB-10 | PCB-10A+PCB-10B | | |
| PCB-10M4F | PCB-10AM4+PCB-10BM4 | | |
| PCB-10(632)F | PCB-10A(632)+632-8ST | | |

P.C.B TERMINAL



- ◆ MATERIAL:TIN PLATED BRASS
- ◆ UNIT:mm



FOR M3-5.8ST FOR M4-6ST FOR STP632-6-1

◆ FOR PCB-11 CAN COOPERATE SCREW USE

| PART NO | T | PACKAGE |
|---------------|------------------------|---------|
| PCB-11 | M3 | 1000 |
| PCB-11(M3.5) | M3.5 | |
| PCB-11(M4) | M4 | |
| PCB-11(632) | 6-32 UNC | |
| (ASSY) | | |
| PCB-11M3-5.8F | PCB-11+M3-5.8ST | |
| PCB-11M4-6F | PCB-11(M4)+M4-6ST | |
| PCB-11(632)F | PCB-11(632)+STP632-6-1 | |

