

▶ SCREW CONNECTORS

M8 Fixed socket for PCB

TOPTTEK®
HARDWARE ELECTRONIC COMPONENTS



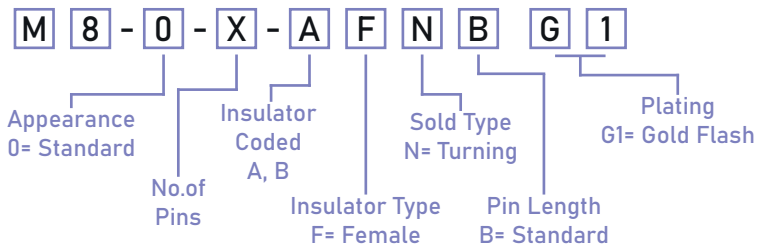
SPECIFICATION MODEL: M8-0-X-AFNBG1

1	Durability	> 1000 mate/unmate cycles
2	Pin Contact Resistance	≥ 10mΩ
3	Insulation Resistance	≥ 100mΩ
4	Rated Temperature	-25°C, +80°C
5	Corrosion Resistance	Salt spray test,48h
6	Waterproof	IP67

www.toptek-co.com



▶ ORDER INFORMATION



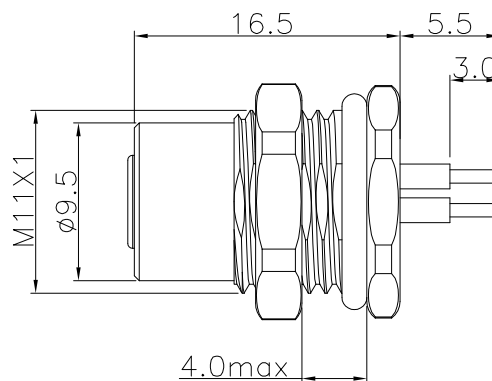
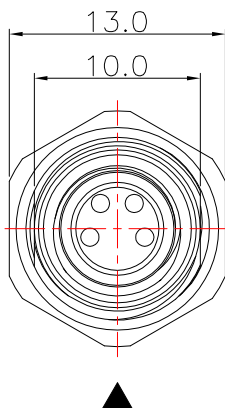
1. NO. of contacts

Series	3	4	5	6	8
Pin Assignment PCB Layout (Front View)					
Pin size	1.0mm	1.0mm	1.0mm	0.7mm	0.6mm
Rated current	3A	3A	3A	1A	1A
Rated voltage	60V	30V	30V	30V	30V

2. Insulator Coded

Coded	A	B

"▲" Insulator key



3. RECOMMENDED PANEL CUT-OUT

