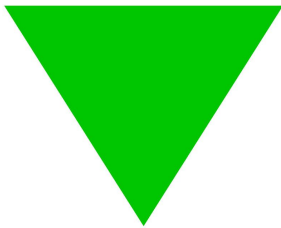


PLASTIC PARTS for PCB

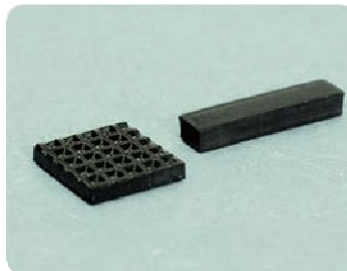
PLASTIC FOOT
RUBBER FOOT
EVA FOAM

TOPTTEK®

HARDWARE ELECTRONIC MANUFACTURER

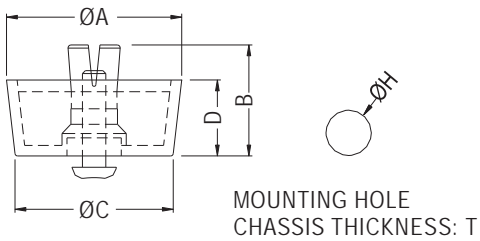


www.toptek-co.com



PLASTIC FOOT

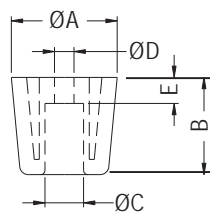
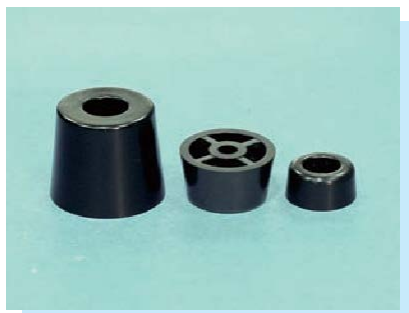
- ◆ MATERIAL:PE/TPR
- ◆ PIN MATERIAL:PP
- ◆ COLOR:BLACK/GRAY/COMPUTER
- ◆ UNIT:mm



| PARTNO | A | B | C | D | H | T | PACKAGE |
|--------|------|------|------|------|------|---------|---------|
| FF-1 | 20.8 | 11.8 | 19.8 | 6.4 | 8.0 | 1.0-2.5 | 500 |
| FF-2 | 20.0 | 15.4 | 18.0 | 10.0 | | | 250 |
| FF-3 | 23.7 | 19.2 | 19.5 | 13.7 | | | 500 |
| FF-4 | 25.0 | 12.5 | 23.5 | 6.5 | | | 200 |
| FF-5 | 30.0 | 18.8 | 27.7 | 12.8 | | | 250 |
| FF-6 | 28.5 | 14.0 | 26.5 | 8.2 | 10.0 | 1.0-3.5 | 250 |
| FF-7 | 12.7 | 8.5 | 12.0 | 4.4 | 5.0 | 1.0-2.0 | 1000 |
| FF-8 | 15.7 | 8.5 | 15.0 | 4.4 | | | 500 |
| FF-9 | 20.0 | 7.0 | 18.6 | 4.0 | 8.0 | 1.0-2.5 | 250 |
| FF-10 | 23.8 | 10.0 | 22.0 | 5.0 | | | 500 |
| FF-11 | 31.5 | 13.6 | 28.5 | 7.8 | 10.0 | 1.0-3.5 | 250 |
| FF-12 | 20.0 | 20.8 | 18.0 | 15.0 | 8.0 | 1.0-3.0 | 500 |
| FF-13 | 20.0 | 24.3 | 18.0 | 18.0 | | 0.8-1.0 | 250 |
| FF-14 | 19.5 | 10.5 | 18.7 | 5.0 | | 0.8-2.0 | 500 |
| FF-16 | 29.4 | 23.0 | 26.5 | 15.0 | 10.0 | 1.0-3.5 | 100 |
| FF-19 | 20.0 | 9.1 | 18.0 | 6.0 | 4.0 | 0.8 | 1000 |
| FF-20 | 20.0 | 8.4 | 18.0 | 5.2 | 5.0 | | 250 |
| FF-21 | 20.0 | 25.6 | 19.3 | 20.5 | 8.0 | 0.8-2.0 | 500 |
| FF-22 | 19.2 | 12.1 | 17.2 | 7.9 | | 0.8-1.2 | 250 |
| FF-24 | 23.0 | 13.3 | 21.0 | 8.0 | | 0.8-2.0 | 500 |
| FF-25 | 24.0 | 15.8 | 20.0 | 10.5 | | 1.0-3.0 | 250 |
| FF-26 | 22.0 | 10.5 | 21.0 | 3.5 | | 250 | |
| FF-27 | 26.7 | 21.0 | 24.8 | 16.0 | 10.0 | 0.8-2.0 | 100 |
| FF-28 | 20.0 | 13.5 | 18.0 | 10.0 | | 100 | |
| FF-31 | 27.0 | 12.0 | 26.0 | 6.9 | 8.0 | 1.0-2.5 | 1000 |
| FF-34 | 41.2 | 21.6 | 40.0 | 14.0 | | 1.0-3.0 | 500 |
| FF-35 | 14.0 | 10.6 | 12.7 | 5.8 | 6.0 | 1.0-2.5 | 1000 |
| FF-36 | 22.0 | 10.5 | 20.0 | 3.5 | 8.0 | 1.0-3.0 | 500 |
| FF-41 | 20.8 | 12.6 | 19.8 | 7.2 | 8.0 | 1.0-2.5 | 500 |
| FF-43 | 12.0 | 10.0 | 10.5 | 5.8 | 5.0 | | 1000 |
| FF-44 | 20.8 | 11.8 | 19.8 | 6.9 | 8.0 | | 500 |
| FF-51 | 20.0 | 17.8 | 18.0 | 14.0 | 5.0 | 1.6 | 500 |

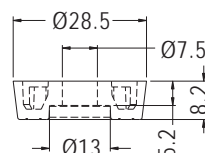
PLASTIC FOOT

- ◆ MATERIAL:ABS/PP
- ◆ COLOR:BLACK
- ◆ UNIT:mm



| PARTNO | A | B | C | D | E | PACKAGE |
|--------|------|------|-------|-----|-----|---------|
| FFT-1 | 15.0 | 8.0 | 7.5 | 3.7 | 3.5 | 1000 |
| FFT-2 | 20.0 | 12.1 | 8.2 | 4.1 | 5.5 | 500 |
| FFT-3 | 25.1 | 16.2 | 10.4 | 4.3 | 8.1 | 100 |
| FFT-4 | 24.4 | 22.4 | 8.9 | 4.6 | 6.0 | |
| FFT-5 | 26.0 | 12.7 | 10.9 | 5.1 | 5.7 | |
| FFT-6 | 22.5 | 22.4 | 8.6 | 4.6 | 6.0 | |
| FFT-7 | 17.0 | 17.0 | 7.5 | 3.2 | 6.0 | |
| FFT-8 | 19.8 | 20.0 | 9.5 | 4.2 | 5.7 | 500 |
| FFT-9 | 20.0 | 12.8 | 9.5 | 3.6 | 5.7 | |
| FFT-10 | 20.0 | 10.5 | 9.2 | 4.4 | 4.0 | |
| FFT-11 | 28.5 | 8.2 | 11.29 | 7.1 | 6.0 | 100 |

- ◆ MATERIAL:TPR
- ◆ COLOR:BLACK
- ◆ UNIT:mm



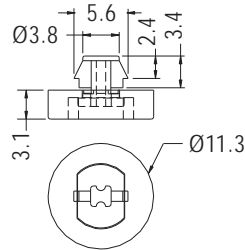
| PARTNO | PACKAGE |
|--------|---------|
| FFT-15 | 200 |



PLASTIC FOOT



- ◆ MATERIAL:TPE
- ◆ PIN MATERIAL:NYLON 66 (UL) 94V-2
- ◆ COLOR:BLACK
- ◆ UNIT:mm



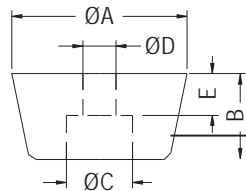
CHASSIS Ø4.0
THICKNESS 0.8-1.0

| PART NO | PACKAGE |
|---------|---------|
| FF-15 | 1000 |

PLASTIC FOOT



- ◆ MATERIAL:P.V.C/RUBBER/PP
- ◆ COLOR:BLACK/WHITE
- ◆ UNIT:mm

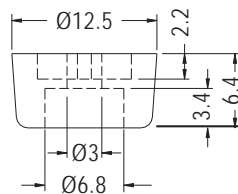


| PART NO | A | B | C | D | E | MATERIAL | PACKAGE |
|---------|------|------|------|-----|-----|----------|---------|
| NF-001 | 14.8 | 7.0 | 6.0 | 3.0 | 3.1 | P.V.C | 1000 |
| NF-002 | 11.5 | 7.4 | 5.6 | 3.2 | 3.3 | RUBBER | |
| NF-004 | 16.0 | 7.8 | 6.0 | 3.0 | 4.0 | RUBBER | |
| NF-005 | 17.2 | 7.0 | 9.0 | 4.0 | 3.0 | P.V.C | 500 |
| NF-006 | 20.2 | 8.0 | 10.0 | 3.0 | 4.0 | | |
| NF-007 | 25.0 | 5.8 | 8.5 | 3.3 | 2.8 | | |
| NF-008 | 20.0 | 10.5 | 9.8 | 3.0 | 5.0 | | |
| NF-008A | 20.0 | 10.5 | 9.8 | 4.0 | 5.0 | PP | 1000 |
| NF-009 | 11.0 | 5.7 | 6.0 | 3.5 | 2.3 | | |
| NF-013 | 18.0 | 9.8 | 7.8 | 3.5 | 2.7 | P.V.C | 100 |
| NF-014 | 28.0 | 20.0 | 9.7 | 3.8 | 6.0 | P.V.C | |
| NF-018 | 28.0 | 25.0 | 9.7 | 4.2 | 6.0 | RUBBER | |
| NF-020 | 20.2 | 15.0 | 9.4 | 3.5 | 4.0 | | |
| NF-046 | 22.0 | 14.0 | 9.5 | 4.0 | 6.5 | | |

PLASTIC FOOT



- ◆ FOOT MATERIAL:TPE
- ◆ COLOR:BLACK
- ◆ UNIT:mm

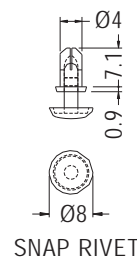
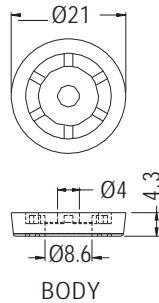


| PART NO | PACKAGE |
|---------|---------|
| FF-37 | 1000 |

PLASTIC FOOT



- ◆ FOOT MATERIAL:TPE
- ◆ PIN MATERIAL:NYLON 66 (UL) 94V-2
- ◆ COLOR:BLACK
- ◆ UNIT:mm



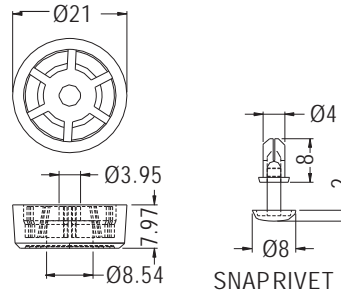
| PART NO | PACKAGE |
|---------|---------|
| FF-40 | 1000 |



PLASTIC FOOT



- ◆ FOOT MATERIAL:TPR
- ◆ PIN MATERIAL:NYLON 66 (UL) 94V-2
- ◆ COLOR:BLACK
- ◆ UNIT:mm



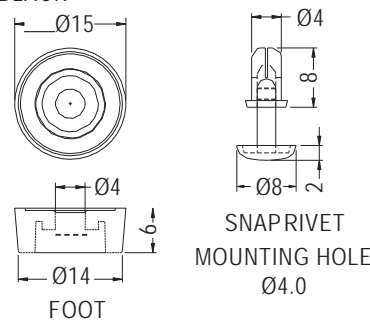
HOLE Ø4.1-Ø4.2
THICKNESS 0.8-2.0

| PART NO | PACKAGE |
|---------|---------|
| FF-46 | 1000 |

PLASTIC FOOT



- ◆ FOOT MATERIAL:TPV
- ◆ PIN MATERIAL:NYLON 66 (UL) 94V-2
- ◆ COLOR:BLACK
- ◆ UNIT:mm



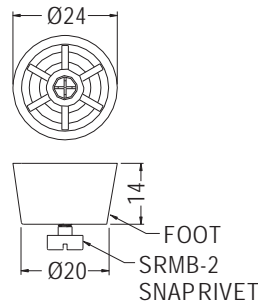
| PART NO | PACKAGE |
|---------|---------|
| FF-47 | 1000 |

PLASTIC FOOT



NEW

- ◆ FOOT MATERIAL:TPE
- ◆ RIVET MATERIAL:NYLON 66(UL)
- ◆ FLAME CLASS:94V-2/94V-0
- ◆ COLOR:BLACK
- ◆ UNIT:mm

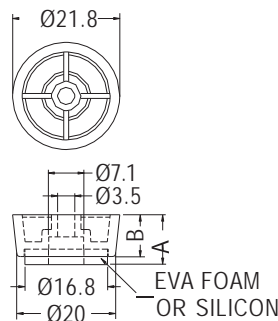


| PART NO | PACKAGE |
|---------|---------|
| FF-52F | 1000 |

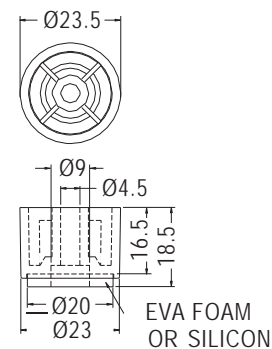
PLASTIC FOOT



- ◆ MATERIAL:ABS
- ◆ COLOR:BLACK
- ◆ UNIT:mm



| PART NO | A | B | PACKAGE |
|---------|------|------|---------|
| FFS-1 | 10.0 | 8.5 | 500 |
| FFS-2 | 15.0 | 13.5 | |

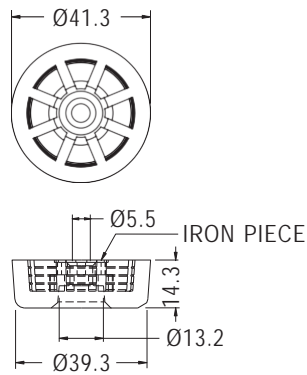


| PART NO | PACKAGE |
|---------|---------|
| FFS-5 | 500 |



PLASTIC FOOT

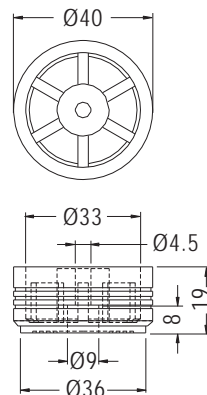
- ◆ HOUSING MATERIAL:TPR
- ◆ COLOR:BLACK
- ◆ UNIT:mm



| PART NO | IRON PIECE | PACKAGE |
|---------|------------|---------|
| FFR-1 | STEEL | 50 |

PLASTIC FOOT

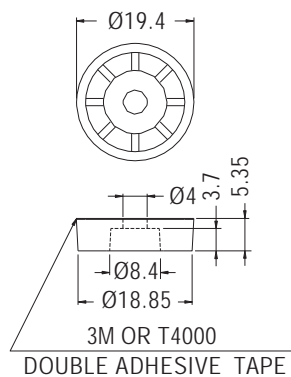
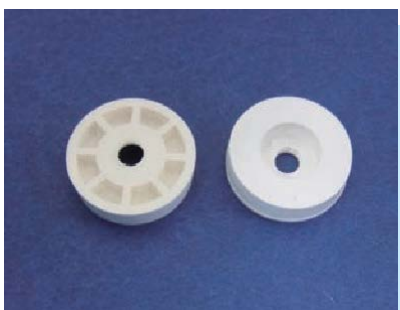
- ◆ MATERIAL:TPU
- ◆ COLOR:BLACK
- ◆ UNIT:mm



| PART NO | PACKAGE |
|---------|---------|
| FFP-40 | 50 |

RUBBER FOOT

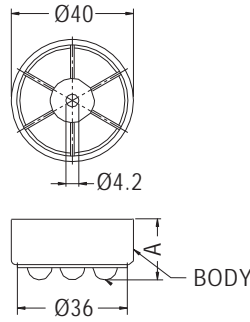
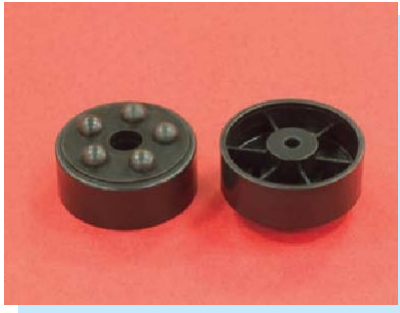
- ◆ MATERIAL:RUBBER
- ◆ COLOR:BLACK/WHITE
- ◆ UNIT:mm



| PART NO | PACKAGE |
|---------|---------|
| TF-605 | 1000 |

ANTI VIBRATION FOOT

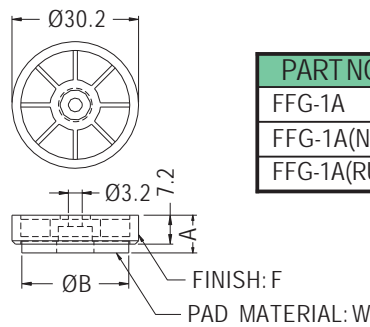
- ◆ BODY MATERIAL: ABS
- ◆ PAD MATERIAL: TPE
- ◆ COLOR: BLACK
- ◆ UNIT: mm



| PART NO | A | PACKAGE |
|---------|------|---------|
| FFQ-1 | 20.0 | 500 |
| FFQ-2 | 12.5 | |

SILVER PLATED FOOT

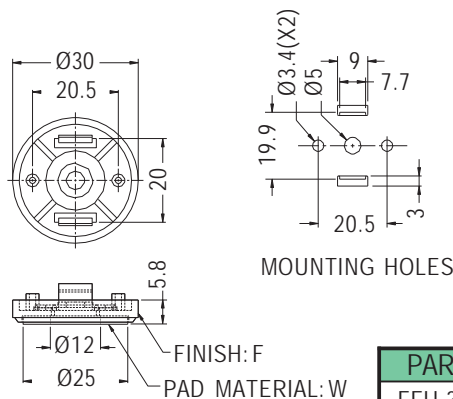
- ◆ MATERIAL: ABS (UL)
- ◆ FLAME CLASS: 94HB
- ◆ COLOR: BLACK
- ◆ UNIT: mm



| PART NO | A | B | F | W |
|------------|-----|------|---------------|--------|
| FFG-1A | 9.1 | 25.0 | SILVER PLATED | EVA |
| FFG-1A(N) | 9.1 | 25.0 | | EVA |
| FFG-1A(RU) | 8.2 | 25.0 | SILVER PLATED | RUBBER |

SILVER PLATED FOOT

- ◆ HOUSING MATERIAL: ABS
- ◆ COLOR: BLACK
- ◆ UNIT: mm

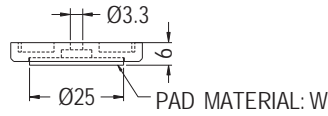
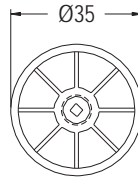


MOUNTING HOLES

| PART NO | F | W |
|-------------|---------------|--------|
| FFH-30S(RU) | SILVER PLATED | RUBBER |

PLASTIC FOOT

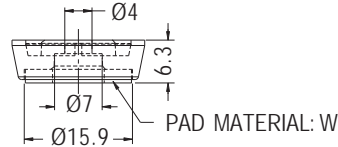
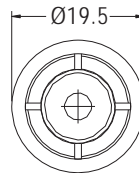
- ◆ HOUSING MATERIAL:ABS (UL)
- ◆ HOUSING FLAME CLASS:94HB
- ◆ COLOR:BLACK
- ◆ UNIT:mm



| PART NO | W |
|---------|--------|
| FFK-5 | RUBBER |

PLASTIC FOOT

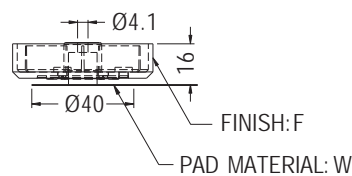
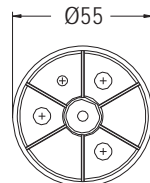
- ◆ HOUSING MATERIAL:ABS
- ◆ COLOR:BLACK
- ◆ UNIT:mm



| PART NO | W |
|---------|----------------|
| FFK-6 | SILICON RUBBER |

SILVER PLATED FOOT

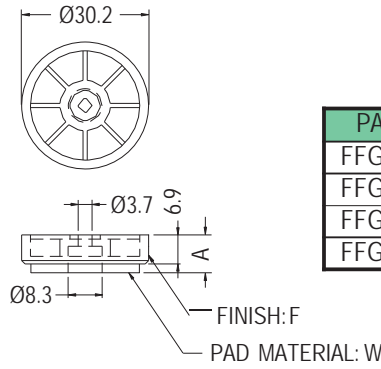
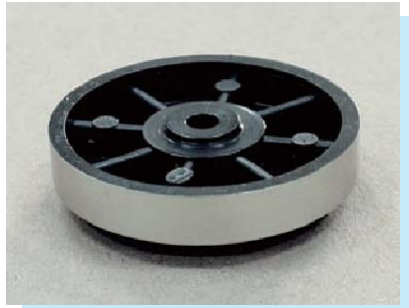
- ◆ HOUSING MATERIAL:ABS
- ◆ COLOR:BLACK
- ◆ UNIT:mm



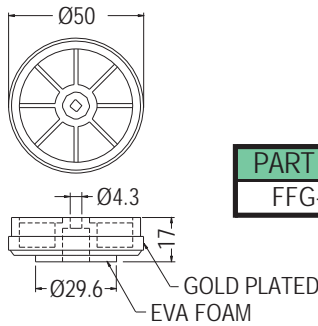
| PART NO | F | W |
|---------|---------------|-----|
| RS-61N | | TPR |
| RS-61S | SILVER PLATED | TPR |

GOLD PLATED FOOT

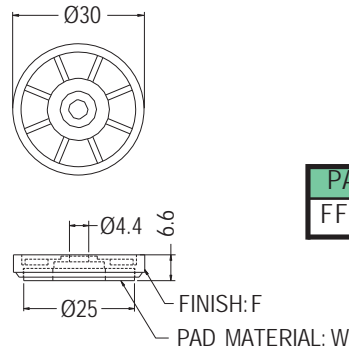
- ◆ HOUSING MATERIAL:ABS
- ◆ COLOR:BLACK
- ◆ UNIT:mm



| PARTNO | A | F | W |
|------------|-----|--------------|--------|
| FFG-1 | 9.0 | SILVERPLATED | EVA |
| FFG-1(RU) | 8.0 | SILVERPLATED | RUBBER |
| FFG-1G(RU) | | GOLDPLATED | |
| FFG-1N | | SILVERPLATED | |



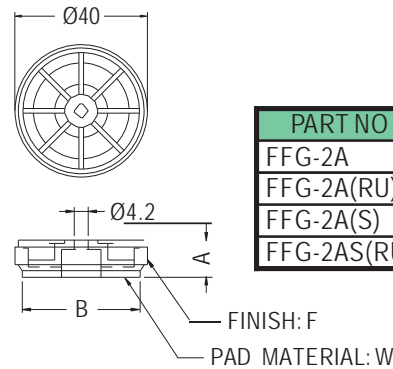
| PARTNO |
|--------|
| FFG-3 |



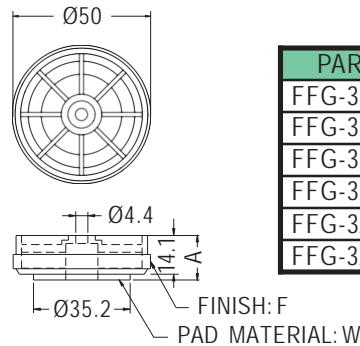
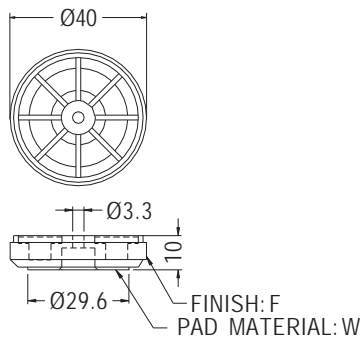
| PART NO | F | W |
|-----------|--------------|-----|
| FFG-30(S) | SILVERPLATED | EVA |

GOLD PLATED FOOT

- ◆ HOUSING MATERIAL:ABS
- ◆ COLOR:BLACK
- ◆ UNIT:mm



| PART NO | A | B | F | W |
|-------------|------|------|---------------|--------|
| FFG-2A | 10.8 | 35.5 | GOLD PLATED | EVA |
| FFG-2A(RU) | 10.2 | | | RUBBER |
| FFG-2A(S) | 11.0 | 35.0 | SILVER PLATED | EVA |
| FFG-2AS(RU) | 10.2 | 35.5 | | RUBBER |



| PART NO | A | F | W |
|-------------|------|--------------|--------|
| FFG-3A | 16.2 | GOLD PLATED | EVA |
| FFG-3A(RU) | 15.4 | | RUBBER |
| FFG-3A(S) | 16.0 | SILVERPLATED | EVA |
| FFG-3A(G)N | | GOLDPLATED | |
| FFG-3AN | 16.2 | | EVA |
| FFG-3AN(RU) | 15.4 | | RUBBER |

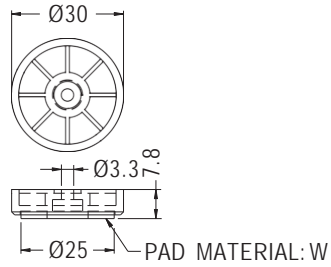
| PART NO | F | W |
|----------|--------------|--------|
| FFG-2N | | RUBBER |
| FFG-2(S) | SILVERPLATED | |



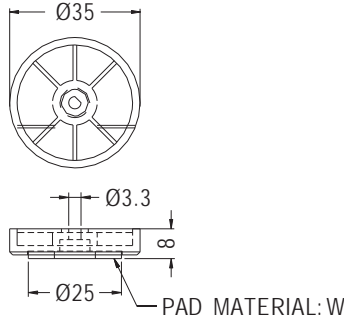
PLASTIC FOOT



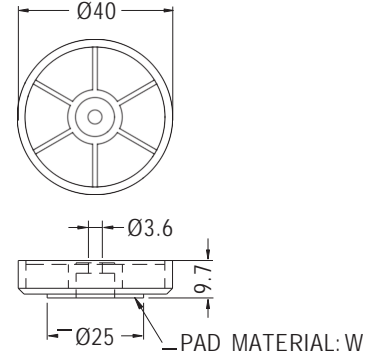
- ◆ HOUSING MATERIAL:ABS
- ◆ COLOR:BLACK
- ◆ UNIT:mm
- ◆ FFK SERIES:Without any silver/gold plated



| PARTNO | W |
|-----------|--------|
| FFK-1 | EVA |
| FFK-1P | PORON |
| FFK-1(RU) | RUBBER |



| PARTNO | W |
|-----------|--------|
| FFK-3 | EVA |
| FFK-3P | PORON |
| FFK-3(RU) | RUBBER |

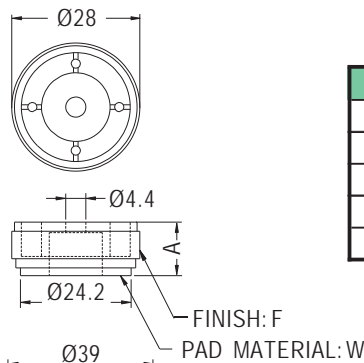


ONLY FOR:FFK-4P

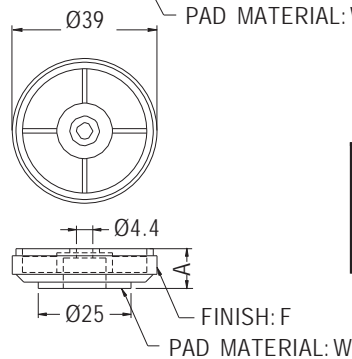
| PART NO | W |
|-----------|--------|
| FFK-2 | EVA |
| FFK-2P | PORON |
| FFK-2(RU) | RUBBER |
| FFK-4P | PORON |

GOLD PLATED FOOT

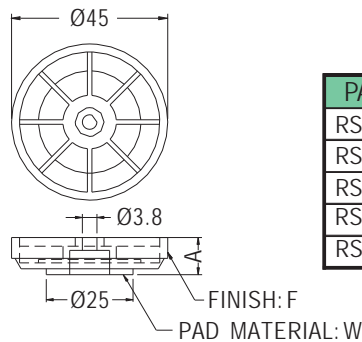
- ◆ HOUSING MATERIAL:ABS
- ◆ COLOR:BLACK
- ◆ UNIT:mm



| PART NO | A | F | W |
|------------|------|---------------|--------|
| RS-28 | 11.7 | GOLD PLATED | EVA |
| RS-28(S) | | SILVER PLATED | |
| RS-28S(RU) | 10.7 | | RUBBER |
| RS-28N(RU) | | | |
| RS-28(N)N | 10.0 | | |



| PART NO | A | F | W |
|------------|------|---------------|--------|
| RS-40 | 10.7 | GOLD PLATED | EVA |
| RS-40(S) | | SILVER PLATED | |
| RS-40S(RU) | 9.8 | | RUBBER |

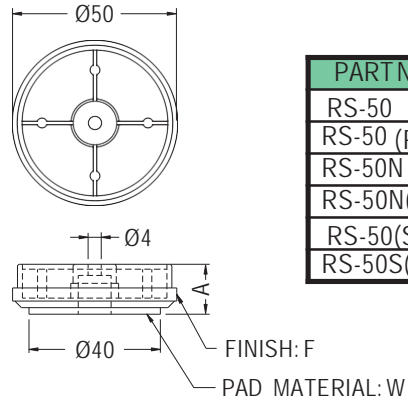


| PART NO | A | F | W |
|------------|------|----------------|--------|
| RS-45 | 10.7 | GOLD PLATED | EVA |
| RS-45(S) | | SILVER PLATED | |
| RS-45(RU) | 9.7 | GOLD PLATED | RUBBER |
| RS-45S(RU) | | SILVER PLATED | |
| RS-45(S)I | | SILICON RUBBER | |

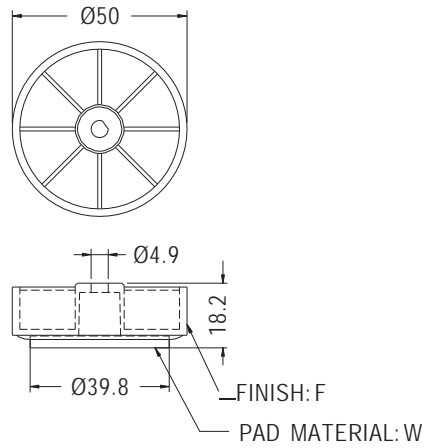


GOLD PLATED FOOT

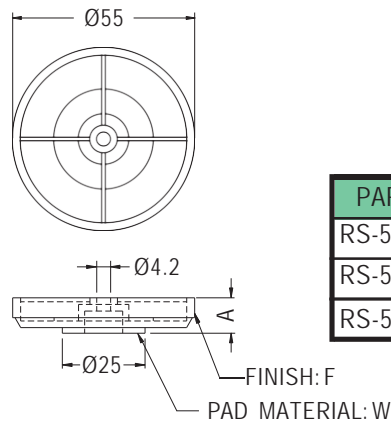
- ◆ HOUSING MATERIAL:ABS
- ◆ COLOR:BLACK
- ◆ UNIT:mm



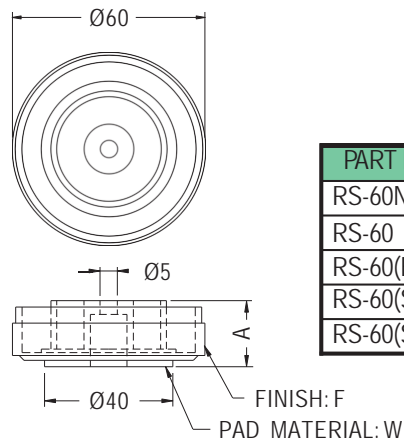
| PARTNO | A | F | W |
|-------------|------|--------------|--------|
| RS-50 | 14.8 | GOLDPLATED | EVA |
| RS-50 (RU) | 14.0 | | RUBBER |
| RS-50N | 14.8 | / | EVA |
| RS-50N(RU) | 14.0 | | RUBBER |
| RS-50(S) | 14.8 | SILVERPLATED | EVA |
| RS-50S(R U) | 14.0 | | RUBBER |



| PARTNO | F | W |
|---------|------------|-----|
| RS-50-2 | GOLDPLATED | EVA |



| PARTNO | A | F | W |
|------------|------|--------------|--------|
| RS-55 | 10.7 | GOLD PLATED | EVA |
| RS-55(S) | | SILVERPLATED | |
| RS-55S(RU) | 9.7 | | RUBBER |

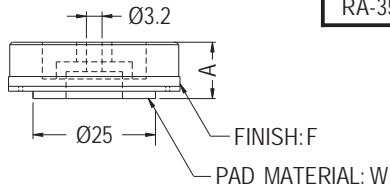
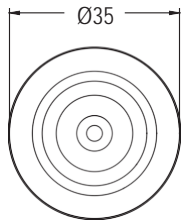


| PART NO | A | F | W |
|------------|------|---------------|-----|
| RS-60N | 20.0 | / | EVA |
| RS-60 | | | |
| RS-60(BK) | | SILVER PLATED | |
| RS-60(S) | | | |
| RS-60(S)RU | 19.3 | | |



GOLD PLATED FOOT

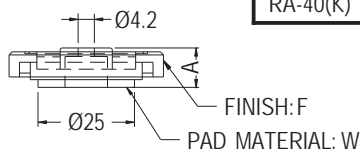
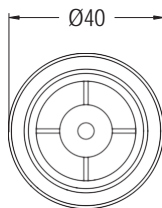
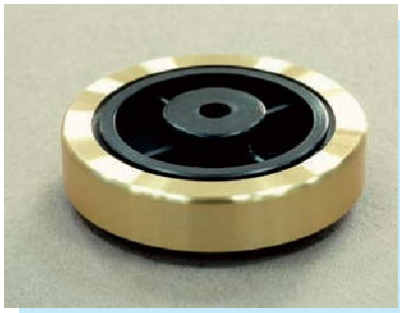
- ◆ HOUSING MATERIAL:ABS
- ◆ METAL MATERIAL:AL
- ◆ COLOR:BLACK
- ◆ UNIT:mm



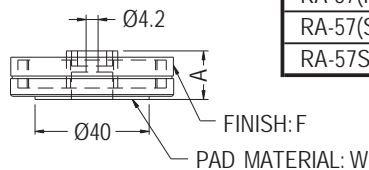
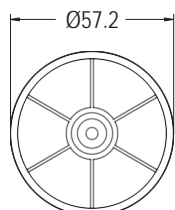
| PARTNO | A | F | W |
|------------|------|---------------|--------|
| RA-35 | 11.5 | GOLD PLATED | EVA |
| RA-35(S) | | SILVER PLATED | RUBBER |
| RA-35(S)RU | 10.5 | | |

GOLD PLATED FOOT

- ◆ HOUSING MATERIAL:ABS
- ◆ METAL MATERIAL:AL
- ◆ COLOR:BLACK
- ◆ UNIT:mm



| PARTNO | A | F | W |
|------------|------|-----------------|--------|
| RA-40 | 12.0 | GOLD PLATED | EVA |
| RA-40(RU) | 11.0 | | RUBBER |
| RA-40(S) | 12.0 | SILVER PLATED | EVA |
| RA-40S(RU) | 11.0 | | RUBBER |
| RA-40(K) | 12.0 | CHAMPAGNE COLOR | EVA |

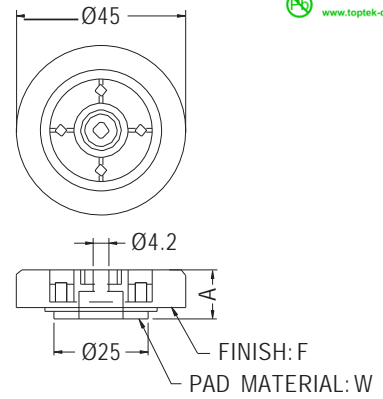


| PARTNO | A | F | W |
|------------|------|---------------|--------|
| RA-57 | 17.0 | GOLD PLATED | EVA |
| RA-57(RU) | 17.1 | | RUBBER |
| RA-57(S) | 17.0 | SILVER PLATED | EVA |
| RA-57S(RU) | 17.1 | | RUBBER |

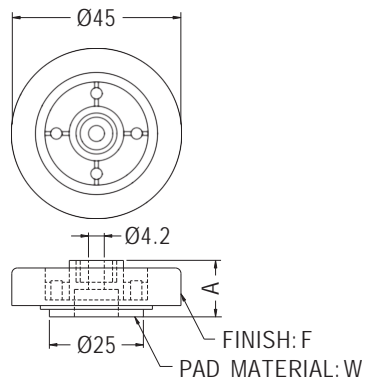


GOLD PLATED FOOT

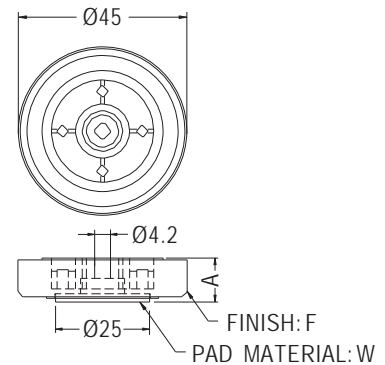
- ◆ HOUSING MATERIAL:ABS
- ◆ METAL MATERIAL:AL
- ◆ COLOR:BLACK
- ◆ UNIT:mm



| PART NO | A | F | W |
|-------------|------|---------------|--------|
| RA-45S-1 | 12.5 | SILVER PLATED | EVA |
| RA-45-1(RU) | 11.5 | GOLD PLATED | RUBBER |
| RA45S-1(RU) | | SILVER PLATED | |



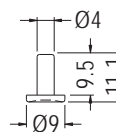
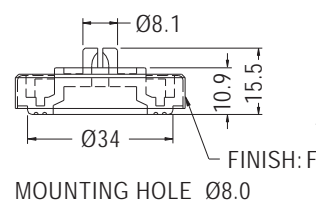
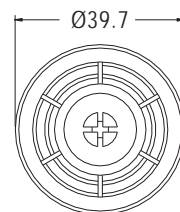
| PART NO | A | F | W |
|------------|------|---------------|----------------|
| RA-45 | 15.0 | GOLD PLATED | EVA |
| RA-45(S) | | | |
| RA-45(RUS) | 14.0 | SILVER PLATED | RUBBER |
| RA-45S(RU) | | | RUBBER |
| RA-45S(I) | 14.1 | | SILICON RUBBER |



| PART NO | A | F | W |
|----------|------|---------------|-----|
| RA-45S-3 | 12.5 | SILVER PLATED | EVA |

GOLD PLATED FOOT

- ◆ FOOT MATERIAL:PE
- ◆ PIN MATERIAL:PP
- ◆ METAL MATERIAL:AL
- ◆ COLOR:BLACK
- ◆ UNIT:mm



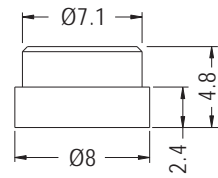
| PART NO | F |
|------------|---------------|
| RAFF-40 | GOLD PLATED |
| RAFF-40(S) | SILVER PLATED |
| RAFF-40(B) | BLACK PLATED |



RUBBER FOOT



- ◆ MATERIAL:RUBBER
- ◆ COLOR:BLACK
- ◆ UNIT:mm



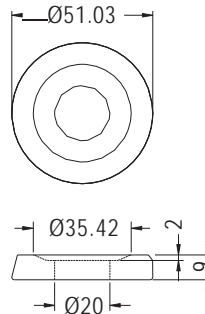
MOUNTING HOLE Ø7.0

| PART NO | PACKAGE |
|---------|---------|
| TF-017 | 1000 |

RUBBER FOOT



- ◆ MATERIAL:RUBBER
- ◆ COLOR:BLACK
- ◆ UNIT:mm

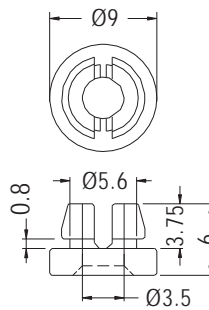


| PART NO | PACKAGE |
|---------|---------|
| TF-448 | 500 |

SILICON RUBBER FOOT



- ◆ MATERIAL:SILICON RUBBER
- ◆ COLOR:BLACK
- ◆ UNIT:mm

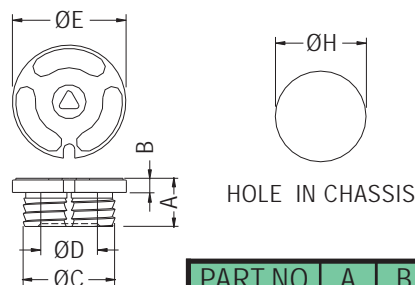


| PART NO | PACKAGE |
|---------|---------|
| TF-5611 | 1000 |

PLASTIC FOOT



- ◆ MATERIAL:TPR
- ◆ COLOR:BLACK
- ◆ UNIT:mm

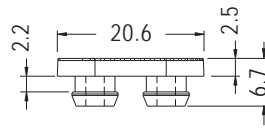


| PART NO | A | B | C | D | E | H | PACKAGE |
|---------|-----|-----|------|------|------|------|---------|
| TFF-1 | 9.0 | 3.0 | 16.3 | 10.0 | 20.0 | 16.0 | 1000 |
| TFF-2 | 8.5 | 2.5 | 16.3 | 10.0 | 20.0 | 16.0 | |
| TFF-3 | 9.0 | 2.4 | 20.2 | 13.5 | 22.8 | 19.8 | |
| TFF-4 | 7.5 | 2.5 | 16.3 | 10.0 | 20.0 | 16.0 | |
| TFF-5 | 7.5 | 2.5 | 16.3 | 10.0 | 20.0 | 16.0 | |

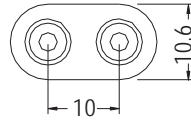


PLASTIC FOOT

- ◆ MATERIAL:TPR
- ◆ COLOR:BLACK
- ◆ UNIT:mm



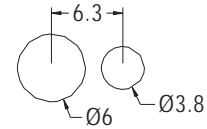
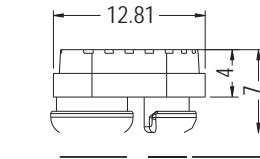
MOUNTING HOLE Ø5.6
 THICKNESS 2.0



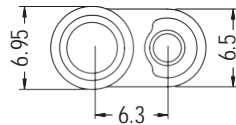
| PART NO | PACKAGE |
|---------|---------|
| TNFF-1 | 1000 |

PLASTIC FOOT

- ◆ MATERIAL:TPR
- ◆ COLOR:BLACK/GRAY
- ◆ UNIT:mm



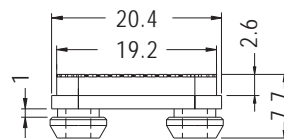
MOUNTING HOLE Ø5.6
 CHASSIS THICKNESS 1.0-1.2



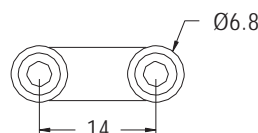
| PART NO | PACKAGE |
|---------|---------|
| TNFF-2 | 1000 |

PLASTIC FOOT

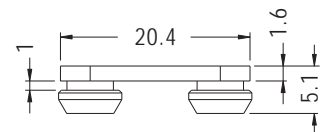
- ◆ MATERIAL:TPR
- ◆ COLOR:BLACK
- ◆ UNIT:mm



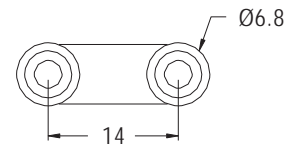
MOUNTING HOLE Ø5.0



| PART NO | PACKAGE |
|---------|---------|
| TNFF-3 | 1000 |



MOUNTING HOLE Ø5.0



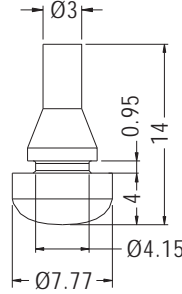
| PART NO | PACKAGE |
|---------|---------|
| TNFF-4 | 1000 |



SILICON RUBBER FOOT

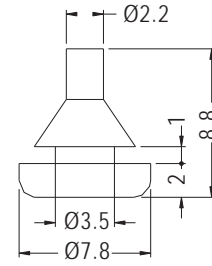


- ◆ MATERIAL: SILICON RUBBER
- ◆ COLOR: BLACK/GRAY
- ◆ UNIT: mm



MOUNTING HOLE $\varnothing 4.2$

| PART NO | PACKAGE |
|---------|---------|
| TF-0411 | 1000 |



MOUNTING HOLE $\varnothing 3.5$

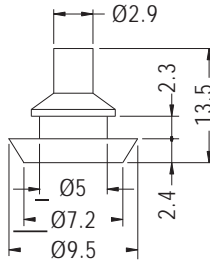
| PART NO | PACKAGE |
|---------|---------|
| TF-546 | 1000 |



RUBBER FOOT

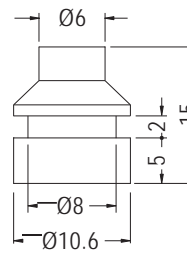


- ◆ MATERIAL: RUBBER
- ◆ COLOR: BLACK
- ◆ UNIT: mm



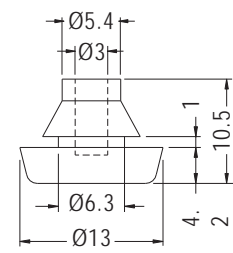
MOUNTING HOLE $\varnothing 5.2$

| PART NO | PACKAGE |
|---------|---------|
| TNF-1 | 1000 |



MOUNTING HOLE $\varnothing 8.2$

| PART NO | PACKAGE |
|---------|---------|
| TNF-2 | 1000 |

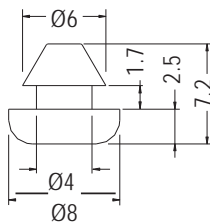


MOUNTING HOLE $\varnothing 6.35$

| PART NO | PACKAGE |
|---------|---------|
| TNF-3 | 1000 |

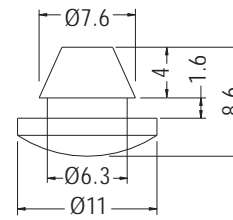


- ◆ MATERIAL: NEOPRENE



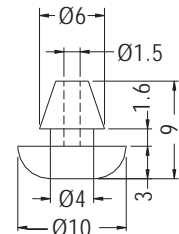
MOUNTING HOLE $\varnothing 4.2$

| PART NO | PACKAGE |
|---------|---------|
| TNF-5 | 1000 |



MOUNTING HOLE $\varnothing 6.5$

| PART NO | PACKAGE |
|---------|---------|
| TNF-6 | 2000 |



MOUNTING HOLE $\varnothing 4.0$

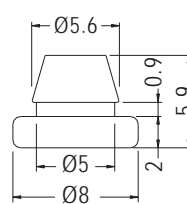
| PART NO | PACKAGE |
|---------|---------|
| TNF-41 | 1000 |



SILICON RUBBER FOOT

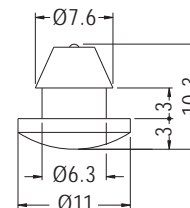


- ◆ MATERIAL: SILICON RUBBER (UL)
- ◆ FLAME CLASS: 94HB/94V-0
- ◆ COLOR: BLACK/WHITE
- ◆ UNIT: mm



MOUNTING HOLE $\varnothing 4.5\text{-}\varnothing 5.0$

| PART NO | PACKAGE |
|---------|---------|
| TNF-7 | 2000 |



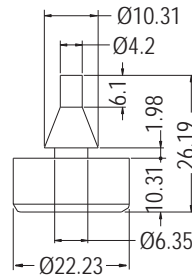
MOUNTING HOLE $\varnothing 6.3$

| PART NO | PACKAGE |
|---------|---------|
| TNF-44 | 2000 |



RUBBER FOOT

- ◆ MATERIAL:NEOPRENE
- ◆ COLOR:BLACK
- ◆ UNIT:mm

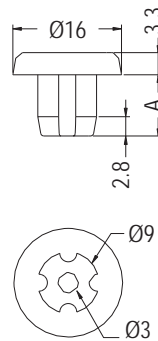


MOUNTING HOLE Ø8.0
 THICKNESS 2.0 MAX.

| PART NO | PACKAGE |
|---------|---------|
| TNF-15 | 500 |

RUBBER FOOT

- ◆ MATERIAL:RUBBER
- ◆ COLOR:BLACK
- ◆ UNIT:mm

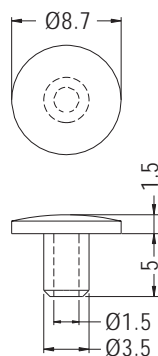


MOUNTING HOLE Ø8.3~Ø8.5

| PART NO | A | PACKAGE |
|---------|-----|---------|
| TNF-9 | 9.0 | 2000 |
| TNF-19 | 6.5 | |

RUBBER FOOT

- ◆ MATERIAL:RUBBER
- ◆ COLOR:BLACK
- ◆ UNIT:mm



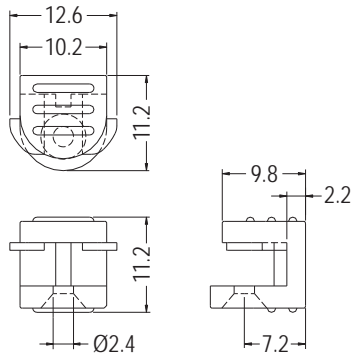
MOUNTING HOLE Ø3.5

| PART NO | PACKAGE |
|---------|---------|
| TF-283 | 1000 |



PLASTIC FOOT

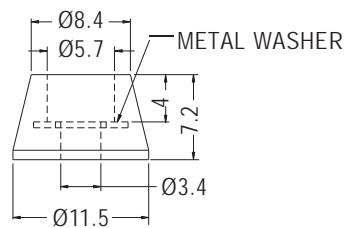
- ◆ MATERIAL:TPE
- ◆ COLOR:BLACK
- ◆ UNIT:mm



| PARTNO | PACKAGE |
|---------|---------|
| DELT-21 | 1000 |

RUBBER FOOT

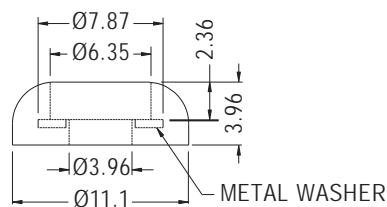
- ◆ MATERIAL:RUBBER
- ◆ COLOR:BLACK
- ◆ UNIT:mm



| PARTNO | PACKAGE |
|----------|---------|
| NF-002ST | 1000 |

RUBBER FOOT

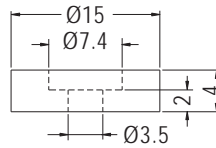
- ◆ MATERIAL:RUBBER
- ◆ COLOR:BLACK
- ◆ UNIT:mm



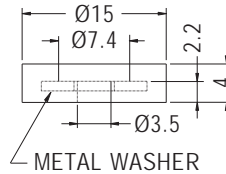
| PARTNO | PACKAGE |
|----------|---------|
| NF-011ST | 1000 |

RUBBER FOOT

- ◆ MATERIAL:RUBBER
- ◆ COLOR:BLACK
- ◆ UNIT:mm



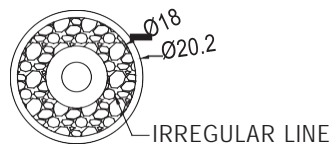
| PART NO | PACKAGE |
|---------|---------|
| NF-012 | 1000 |



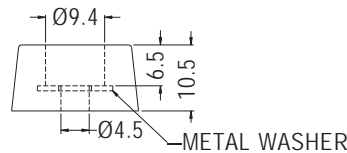
| PART NO | PACKAGE |
|----------|---------|
| NF-012ST | 1000 |

RUBBER FOOT

- ◆ MATERIAL:RUBBER
- ◆ COLOR:BLACK
- ◆ UNIT:mm

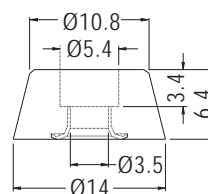
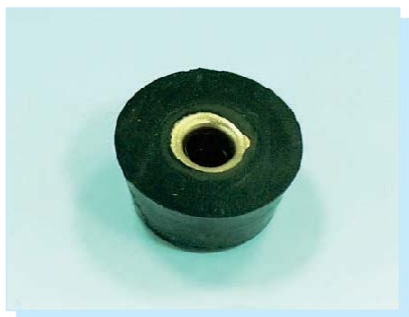


| PART NO | PACKAGE |
|----------|---------|
| NF-015ST | 1000 |



RUBBER FOOT

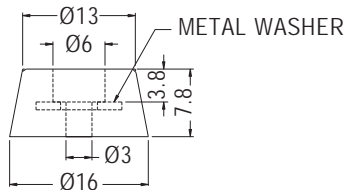
- ◆ MATERIAL:RUBBER
- ◆ METAL RING MATERIAL:BRONZE
- ◆ COLOR:BLACK
- ◆ UNIT:mm



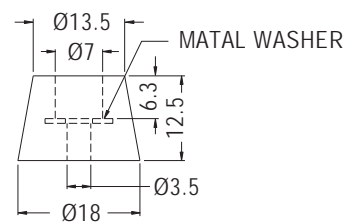
| PART NO | PACKAGE |
|----------|---------|
| NF-016ST | 1000 |

RUBBER FOOT

- ◆ MATERIAL:RUBBER
- ◆ COLOR:BLACK
- ◆ UNIT:mm



| PART NO | PACKAGE |
|----------|---------|
| NF-004ST | 1000 |

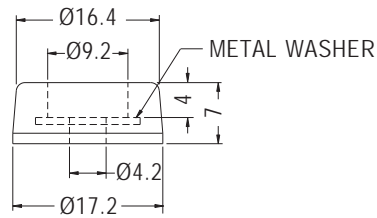


| PART NO | PACKAGE |
|----------|---------|
| NF-039ST | 1000 |

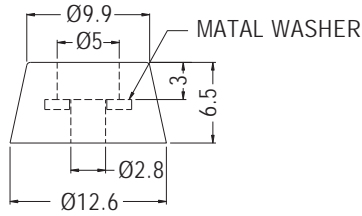


RUBBER FOOT

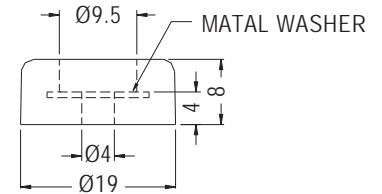
- ◆ MATERIAL: SILICON RUBBER (UL)/RUBBER
- ◆ FLAME CLASS: 94HB
- ◆ COLOR: BLACK
- ◆ UNIT: mm



| PART NO | PACKAGE |
|----------|---------|
| NF-005ST | 1000 |



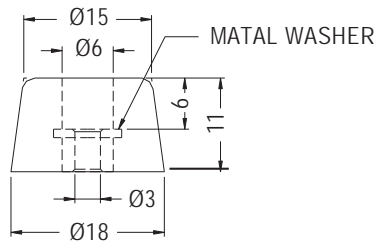
| PART NO | PACKAGE |
|-----------|---------|
| NF-0301ST | 1000 |



| PART NO | PACKAGE |
|----------|---------|
| NF-047ST | 1000 |

RUBBER FOOT

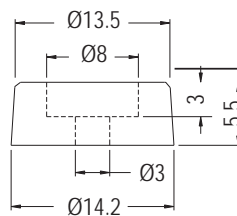
- ◆ MATERIAL: NEOPRENE (UL)
- ◆ FLAME CLASS: 94V-0
- ◆ COLOR: BLACK
- ◆ UNIT: mm



| PART NO | PACKAGE |
|------------|---------|
| NF-035NPST | 1000 |

PLASTIC FOOT

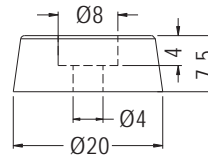
- ◆ MATERIAL: TPE
- ◆ COLOR: BLACK
- ◆ UNIT: mm



| PART NO | PACKAGE |
|---------|---------|
| NF-031 | 1000 |

RUBBER FOOT

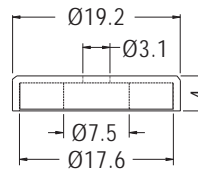
- ◆ MATERIAL:RUBBER
- ◆ COLOR:BLACK
- ◆ UNIT:mm



| PARTNO | PACKAGE |
|--------|---------|
| NF-045 | 1000 |

MAGNET PLASTIC FOOT

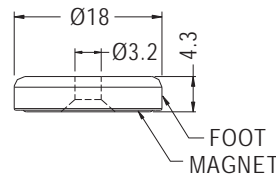
- ◆ METAL COVER MATERIAL:STEEL
- ◆ METAL COVER COLOR:
- ◆ MAGNET MATERIAL:
- ◆ MAGNET COLOR:BLACK
- ◆ UNIT:mm



| PARTNO | PACKAGE |
|--------|---------|
| MGFF-1 | 500 |

MAGNET PLASTIC FOOT

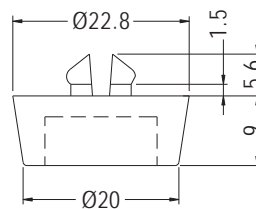
- ◆ FOOT MATERIAL:NYLON 66(UL)
- ◆ MAGNET MATERIAL:NdFeB
- ◆ FLAME CLASS:94V-2/94V-0
- ◆ COLOR:NATURAL/BLACK
- ◆ UNIT:mm



| PARTNO | PACKAGE |
|--------|---------|
| MGFA-2 | 1000 |

PLASTIC FOOT

- ◆ MATERIAL:PE
- ◆ COLOR:BLACK
- ◆ UNIT:mm

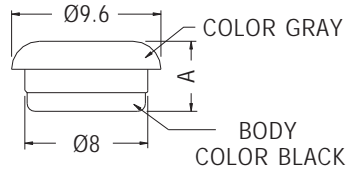


MOUNTING HOLE Ø8.0

| PARTNO | PACKAGE |
|--------|---------|
| GL-4 | 500 |

SILICON RUBBER FOOT

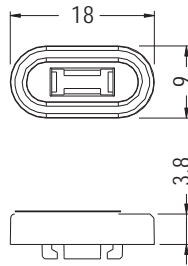
- ◆ MATERIAL: SILICON RUBBER
- ◆ BODY MATERIAL: NYLON 66 (UL)
- ◆ COLOR: BLACK/GRAY
- ◆ UNIT: mm



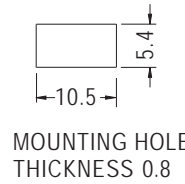
| PARTNO | A | PACKAGE |
|-----------|------|---------|
| FFDA-9AY | 4.5 | 2000 |
| FFDA-10AY | 4.55 | |

PLASTIC FOOT

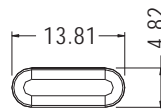
- ◆ MATERIAL: ABS (UL) 94HB/TPR
- ◆ COLOR: BLACK/WHITE
- ◆ UNIT: mm



ASFF-1A (BODY)



| PARTNO | PACKAGE |
|---------|---------|
| ASFF-1A | 1000 |

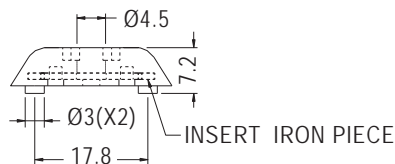
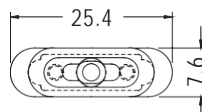


ASFF-1B (PIN)

| PARTNO | PACKAGE |
|---------|---------|
| ASFF-1B | 1000 |

PLASTIC FOOT

- ◆ MATERIAL: TPR
- ◆ METAL RING MATERIAL: SPCC
- ◆ COLOR: GRAY
- ◆ UNIT: mm

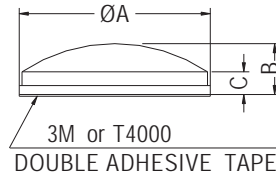


| PARTNO | PACKAGE |
|--------|---------|
| TF-356 | 1000 |



RUBBER FOOT

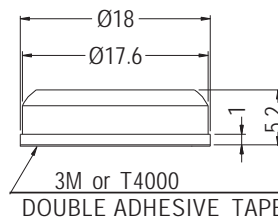
- ◆ MATERIAL:RUBBER
- ◆ COLOR:BLACK/WHITE/COMPUTER/GRAY/TRANSPARENT
- ◆ UNIT:mm



| PARTNO | A | B | C |
|------------|------|-----|-----|
| RF-004 | 9.9 | 3.8 | 2.8 |
| RF14-5A | 14.0 | 5.0 | 3.9 |
| RF27-7AC-1 | 27.8 | 7.4 | 3.3 |

RUBBER FOOT

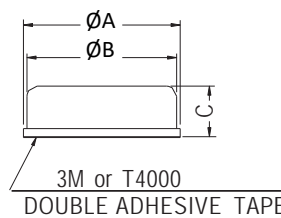
- ◆ MATERIAL:RUBBER
- ◆ COLOR:BLACK
- ◆ UNIT:mm



| PARTNO |
|---------|
| RF18-5A |

RUBBER FOOT

- ◆ MATERIAL:RUBBER/SILICON RUBBER
- ◆ COLOR:BLACK
- ◆ UNIT:mm

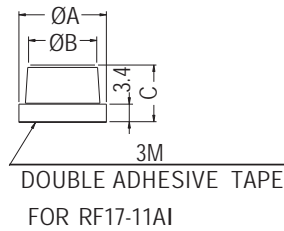
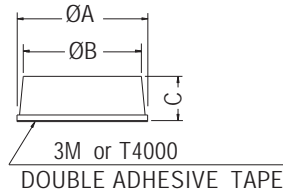


| PART NO | A | B | C |
|-------------|-------|-------|------|
| ★ RF5.8-4AI | 5.8 | 5.5 | 4.0 |
| RF8-3.5 | 8.0 | 8.2 | 3.5 |
| RF8.2-5 | 8.2 | 7.6 | 5.0 |
| RF9-3.5 | 9.0 | 8.2 | 3.5 |
| RF9.7-4.2A | 9.7 | 9.3 | 4.2 |
| RF15.5-5A | 15.4 | 14.8 | 5.1 |
| RF19-4A7 | 19.05 | 18.05 | 4.06 |
| RF22.8-5 | 22.8 | 22.4 | 5.0 |
| RF22-8.8 | 22.0 | 21.0 | 8.8 |
| RF22-5 | 22.0 | 21.0 | 5.0 |



RUBBER FOOT

- ◆ MATERIAL: RUBBER
- ◆ COLOR: BLACK/GRAY/ COMPUTER
- ◆ UNIT: mm
- ◆ OTHER MATERIALS AVAILABLE: EPDM, SILICON,

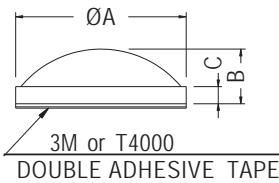


| PART NO | A | B | C |
|-----------|------|------|-----|
| RF6-5 | 6.0 | 5.0 | 5.0 |
| RF7-3.2AI | 6.6 | 7.0 | 3.2 |
| RF-1094AI | 10.0 | 9.0 | 9.4 |
| RF-003 | 10.0 | 9.5 | 4.2 |
| RF-030 | 10.0 | 9.5 | 8.0 |
| RF-1055I | 10.0 | 9.7 | 5.5 |
| RF-009 | 10.8 | 10.2 | 3.0 |
| RF11-5 | 11.0 | 9.6 | 5.0 |

| PARTNO | A | B | C |
|-------------|------|-------|------|
| RF-011 | 11.0 | 10.5 | 5.0 |
| RF11-3.2A | 11.3 | 10.7 | 3.2 |
| RF12-27A | 11.7 | 10.6 | 2.85 |
| RF-039 | 11.9 | 11.2 | 6.4 |
| RF-015 | 12.0 | 11.2 | 5.1 |
| RF-019 | 12.0 | 9.5 | 4.0 |
| RF-019A | 12.7 | 10.0 | 3.8 |
| RF-032 | 12.7 | 11.5 | 4.0 |
| RF-005 | 13.0 | 11.4 | 5.0 |
| RF-012 | 13.0 | 12.2 | 4.5 |
| RF15-11A | 15.0 | 13.5 | 11.0 |
| ★ RF17-11AI | 17.0 | 13.25 | 11.0 |
| RF-007 | 19.0 | 17.0 | 7.2 |
| RF-020 | 19.0 | 15.8 | 4.2 |
| RF20-5 | 19.8 | 18.0 | 5.0 |
| RF-008 | 20.0 | 19.0 | 6.0 |
| RF24-8 | 24.0 | 20.0 | 8.0 |

RUBBER FOOT

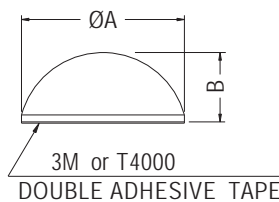
- ◆ MATERIAL: RUBBER
- ◆ COLOR: BLACK/GRAY/ COMPUTER/TRANSPARENT
- ◆ UNIT: mm
- ◆ OTHER MATERIALS AVAILABLE: EPDM, SILICON,



| PART NO | A | B | C |
|--------------|------|------|-----|
| RF-002 | 10.0 | 2.8 | 1.0 |
| RF8-2A | 8.0 | 2.0 | 1.0 |
| RF8-2.6A | 8.0 | 2.6 | 1.1 |
| ★ RF21.6-11A | 21.6 | 11.0 | 1.0 |

RUBBER FOOT

- ◆ MATERIAL: RUBBER
- ◆ COLOR: BLACK/GRAY/WHITE
- ◆ UNIT: mm
- ◆ OTHER MATERIALS AVAILABLE: EPDM, SILICON,

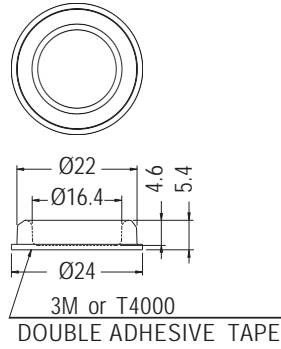


| PARTNO | A | B |
|-------------|------|------|
| RF-021 | 6.7 | 4.2 |
| RF7.8-2.9AI | 7.8 | 2.9 |
| RF9.5-3.9AI | 9.5 | 3.9 |
| RF-1106 | 11.0 | 6.0 |
| RF-022 | 11.3 | 5.6 |
| RF14-8A | 14.0 | 8.0 |
| RF-006 | 15.9 | 8.0 |
| RF21-8.5 | 21.6 | 8.52 |
| RF21-10 | 21.6 | 10.0 |

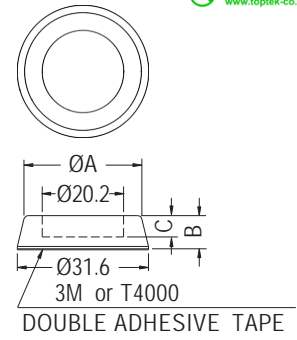


RUBBER FOOT

- ◆ MATERIAL:RUBBER
- ◆ COLOR:BLACK/GRAY/COMPUTER
- ◆ UNIT:mm



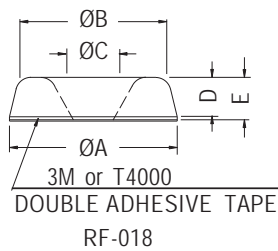
| PARTNO |
|--------|
| RF-031 |



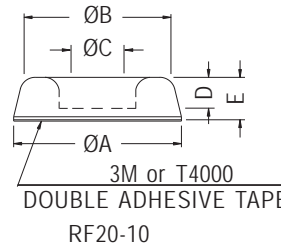
| PARTNO | A | B | C |
|--------|------|-----|-----|
| RF-016 | 29.6 | 6.6 | 4.1 |
| RF-017 | 29.0 | 8.8 | 4.9 |

RUBBER FOOT

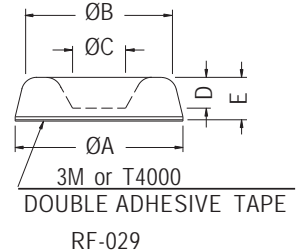
- ◆ MATERIAL:RUBBER
- ◆ COLOR:BLACK/GRAY
- ◆ UNIT:mm



RF-018



RF20-10

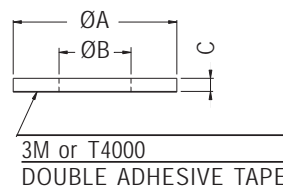


RF-029

| PART NO | A | B | C | D | E |
|---------|------|------|------|-----|------|
| RF-018 | 22.3 | 19.6 | 4.9 | 9.0 | 9.8 |
| RF20-10 | 21.0 | 18.1 | 10.6 | 6.9 | 10.6 |
| RF-029 | 22.3 | 19.0 | 6.5 | 7.2 | 10.2 |

RUBBER WASHER

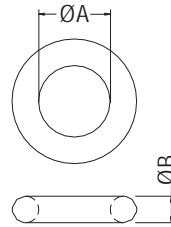
- ◆ MATERIAL:RUBBER/SILICON RUBBER
- ◆ COLOR:BLACK
- ◆ UNIT:mm



| PART NO | A | B | C |
|--------------|------|------|-----|
| RWF3.5-0.5 | 8.0 | 3.5 | 0.5 |
| RWF3.5-1 | 8.0 | 3.5 | 1.0 |
| RWF3.5-1.5 | 11.0 | 3.5 | 1.5 |
| ★ RWF4.5-2I | 8.0 | 4.5 | 2.0 |
| ★ RWF4.5-3I | 15.0 | 4.5 | 3.0 |
| RWF18-8.5-15 | 18.0 | 8.5 | 1.5 |
| RWF20-1.5 | 20.0 | 6.0 | 1.5 |
| RWF25-2 | 25.0 | 11.0 | 2.0 |
| RWF10.2-2 | 29.6 | 10.2 | 2.0 |
| RWF40-2 | 40.0 | 12.0 | 2.0 |
| RWF43-2 | 43.0 | 30.1 | 2.0 |

ORING

- ◆ MATERIAL:NBR/NR/EPDM
- ◆ COLOR:BLACK
- ◆ UNIT:mm

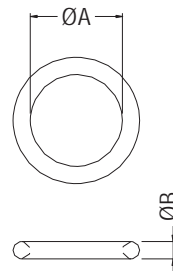


| PARTNO | A | B | PACKAGE |
|------------|------|------|---------|
| OR-1.7 | 1.7 | 0.6 | 2000 |
| OR-2 | 2.0 | 1.0 | |
| OR-2.7 | 2.75 | 0.6 | |
| OR-2.8 | 2.8 | 0.5 | |
| OR-2.9 | 2.9 | 1.78 | |
| OR-3.6 | 3.6 | 1.78 | |
| OR-4 | 4.0 | 2.0 | |
| OR-4.6 | 4.6 | 1.78 | |
| OR-5 | 5.0 | 1.0 | |
| OR5.5-11.8 | 5.5 | 3.15 | |

| PARTNO | A | B | PACKAGE |
|-------------|------|------|---------|
| OR-5.8 | 5.8 | 1.9 | 2000 |
| OR-6 | 6.02 | 2.6 | |
| OR6.07-1.63 | 6.07 | 1.63 | |
| OR-7.6 | 7.65 | 1.78 | |
| OR-7.9 | 7.9 | 1.0 | |
| ★OR7-2 | 8.0 | 2.0 | |
| OR-11 | 11.0 | 2.0 | |
| OR-21.3 | 21.3 | 3.0 | |
| OR-25.2 | 25.2 | 3.5 | |
| OR-84.4 | 84.4 | 3.1 | |
| OR-88 | 20.0 | 1.0 | 2000 |

ORING

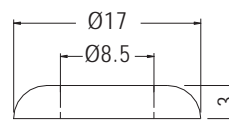
- ◆ MATERIAL:SILICON RUBBER
- ◆ COLOR:BLACK
- ◆ UNIT:mm



| PARTNO | A | B | PACKAGE |
|------------|------|-----|---------|
| OR2.4-1.9I | 2.4 | 1.9 | 2000 |
| OR8-1.5I | 8.0 | 1.5 | |
| OR10.5-1I | 10.5 | 1.0 | |
| OR15-1.5I | 15.0 | 1.5 | |

RUBBER WASHER

- ◆ MATERIAL:RUBBER
- ◆ COLOR:BLACK
- ◆ UNIT:mm



| |
|-----------|
| PART NO |
| RWF8.5-3N |

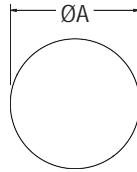


RUBBER FOOT



- ◆ MATERIAL: RUBBER
- ◆ COLOR: BLACK/GRAY/COMPUTER
- ◆ UNIT: mm
- ◆ OTHER MATERIALS AVAILABLE: EPDM, SILICON, ...
- ◆ PRL9-4 MATERIAL: PORON
- ◆ OPTIONAL THICKNESS: 0.5~3.2mm

WE MAKE DIFFERENT SIZE FOR YOUR ORDER.



3M or T4000
DOUBLE ADHESIVE TAPE

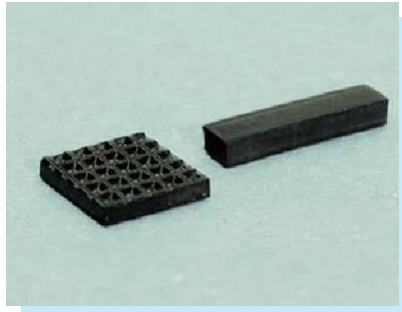
| PART NO | A | B | |
|-----------|-----|-----|-----|
| RF3.8-2 | 3.8 | 2.0 | |
| RF0415 | 4.0 | 1.5 | |
| RF4-0.5 | | 0.5 | |
| RF4-0.6 | | 0.6 | |
| RF4-3 | | 3.0 | |
| RF4.5-1.5 | 4.5 | 1.5 | |
| RF4.5-2.7 | | 2.7 | |
| RF4.8-1 | 4.8 | 1.0 | |
| RF5-1.5 | 5.0 | 1.5 | |
| RF5-2 | | 2.0 | |
| RF5-2.5 | | 2.5 | |
| RF5-3.5 | | 3.5 | |
| RF5.3-0.7 | 5.3 | 0.7 | |
| RF5.5-1.6 | 5.5 | 1.6 | |
| RF5.6-2 | 5.6 | 2.0 | |
| RF6-0.5 | 6.0 | 0.5 | |
| RF6-0.8 | | 0.8 | |
| RF6-0.9 | | 0.9 | |
| RF6-1 | | 1.0 | |
| RF6-1.3 | | 1.3 | |
| RF6-1.5 | | 1.5 | |
| RF6-2 | | 2.0 | |
| RF6-2.5 | | 2.5 | |
| RF6-3 | | 3.0 | |
| RF6-3.5 | | 3.5 | |
| RF6.4-2.6 | 6.4 | 2.6 | |
| RF6.5-1 | 6.5 | 1.0 | |
| RF6.5-2.5 | | 2.5 | |
| RF6.6-1.5 | 6.6 | 1.5 | |
| RF6.6-1.8 | | 1.8 | |
| RF6.6-2 | | 2.0 | |
| RF7-0.5 | 7.0 | 0.5 | |
| RF7-0.9 | | 0.9 | |
| RF7-1 | | 1.0 | |
| RF7-1.5 | | 1.5 | |
| RF7-2 | | 2.0 | |
| RF7-2.5 | | 2.5 | |
| RF7-2.7 | | 2.7 | |
| RF7-3 | | 3.0 | |
| RF7.2-1.5 | | 7.2 | 1.5 |
| RF7.5-2 | | 7.5 | 2.0 |
| RF-001 | 8.0 | 1.8 | |
| RF8-0.5 | | 0.5 | |

| PART NO | A | B | |
|-----------|------|------|-----|
| RF8-1 | 8.0 | 1.0 | |
| RF8-1.4 | | 1.4 | |
| RF8-1.5 | | 1.5 | |
| RF8-2 | | 2.0 | |
| RF8-2.5 | | 2.5 | |
| RF8-3 | | 3.0 | |
| RF8.5-1.5 | 8.5 | 1.5 | |
| RF8.5-2 | | 2.0 | |
| RF9-1 | 9.0 | 1.0 | |
| RF9-1.2 | | 1.2 | |
| RF9-1.5 | | 1.5 | |
| RF9-2 | | 2.0 | |
| RF9-2.5 | | 2.5 | |
| RF9-3 | | 3.0 | |
| RF9.5-0.8 | 9.5 | 0.8 | |
| RF9.5-1.5 | | 1.5 | |
| RF9.5-1.8 | | 1.8 | |
| RF9.5-2 | | 2.0 | |
| RF9.5-3 | | 3.0 | |
| RF10-0.8 | | 10.0 | 0.8 |
| RF10-1 | 1.0 | | |
| RF10-1.3 | 1.3 | | |
| RF-1016 | 1.6 | | |
| RF-1018 | 1.8 | | |
| RF10-2 | 2.0 | | |
| RF10-3 | 3.0 | | |
| RF10.5-1 | 10.5 | | 1.0 |
| RF10.5-15 | | | 1.5 |
| RF10.5-2 | | | 2.0 |
| RF-11632 | 11.6 | 3.2 | |
| RF12-1.5 | 12.0 | 1.5 | |
| RF-1210 | | 1.0 | |
| RF12-2.7 | | 2.7 | |
| RF-1220 | | 2.0 | |
| RF12-3 | | 3.0 | |
| RF12-3.6 | | 3.6 | |
| RF-1232 | | 3.2 | |
| RF-12520 | | 12.5 | 2.0 |
| RF12.5-1 | | | 1.0 |
| RF12732 | | 12.7 | 3.2 |
| RF13-1 | 13.0 | 1.0 | |

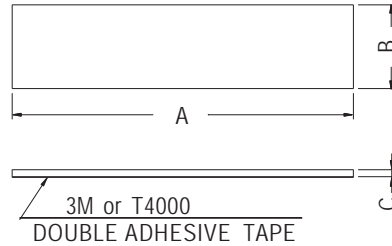
| PART NO | A | B |
|-------------|------|------|
| RF13-3 | 13.0 | 3.0 |
| RF14-4 | 14.0 | 4.0 |
| RF14530 | 14.5 | 3.0 |
| RF14.5-4 | | 4.0 |
| RF-1463 | 14.6 | 3.0 |
| RF-1510 | 15.0 | 1.0 |
| RF-1520 | | 2.0 |
| RF-1530 | | 3.0 |
| RF16.5-3 | 16.5 | 3.0 |
| RF18-1.3 | 18.0 | 1.3 |
| RF18-1.5 | | 1.5 |
| RF18-2.5 | | 2.5 |
| RF19-1 | 19.0 | 1.0 |
| RF19-2 | | 2.0 |
| RF19-3 | | 3.0 |
| RF19-4 | | 4.0 |
| RF-19823 | 19.8 | 2.3 |
| RF20-1 | 20.0 | 1.0 |
| RF20-1.5 | | 1.5 |
| RF20-1.8 | | 1.8 |
| RF-2023 | | 2.3 |
| RF-2025 | | 2.5 |
| RF-2030 | | 3.0 |
| RF22-2 | 22.0 | 2.0 |
| RF22-2.5 | | 2.5 |
| RF22.1-10.4 | 21.7 | 10.4 |
| RF24.6-3 | 24.6 | 3.0 |
| RF25-2.3 | 25.0 | 2.3 |
| RF27-3 | 27.0 | 3.0 |
| RF28-3.2 | 28.0 | 3.2 |
| RF30-2 | 30.0 | 2.0 |
| RF40-1 | 40.0 | 1.0 |
| RF58-1.5 | 58.0 | 1.5 |
| RF58-2 | | 2.0 |
| RF64.7-2.5S | 64.7 | 2.5 |



- ◆ MATERIAL: RUBBER
- ◆ COLOR: BLACK/GRAY/ COMPUTER
- ◆ UNIT: mm
- ◆ OTHER MATERIALS AVAILABLE: EPDM, SILICON, ...
- ◆ OPTIONAL THICKNESS IS BETWEEN 0.5-10mm



WE MAKE DIFFERENT SIZE FOR YOUR ORDER.



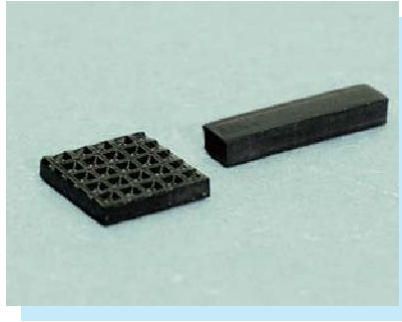
| PART NO | A | B | C | |
|------------|------|------|-----|-----|
| SF050435 | 5.0 | 4.5 | 3.5 | |
| SF062313 | 6.0 | 2.3 | 1.3 | |
| SF060425 | | 4.0 | 2.5 | |
| SF652840 | 6.5 | 2.8 | 4.0 | |
| SF652850 | | 5.0 | | |
| SF070215 | 7.0 | 2.0 | 1.5 | |
| SF070216 | | 1.6 | | |
| SF070304 | | 3.0 | 0.4 | |
| SF073512 | | 3.5 | 1.2 | |
| SF070420 | | 4.0 | 2.0 | |
| SF070620 | | 6.0 | | |
| SF080625 | | 8.0 | 6.0 | 2.5 |
| SF852530 | | 8.5 | 2.5 | 3.0 |
| SF853520 | | | 3.5 | 2.0 |
| SF853525 | | | 2.5 | |
| SF80452 | 8.0 | 4.5 | 2.0 | |
| SF090855 | 9.6 | 8.0 | 5.5 | |
| SF100616 | 9.9 | 6.0 | 1.6 | |
| SF100119 | 10.0 | 1.9 | 1.9 | |
| SF103512 | | 3.5 | 1.2 | |
| SF100409 | | 4.0 | 0.9 | |
| SF100510 | | 5.0 | 1.0 | |
| SF100520 | | 2.0 | | |
| SF100712 | | 7.0 | 1.2 | |
| SF100825 | | 8.0 | 2.5 | |
| SF100850 | | 5.0 | | |
| SF100730 | | 10.5 | 7.2 | 3.0 |
| SF110830 | | 11.5 | 8.0 | |
| SF118781 | 11.8 | 7.8 | 1.0 | |
| SF120565 | 12.0 | 5.0 | 6.5 | |
| SF120810 | | 8.5 | 1.0 | |
| SF129515 | | 9.5 | 1.5 | |
| SF121530 | | 15.0 | 3.0 | |
| SF1256535 | 12.5 | 6.5 | 3.5 | |
| SF1251008 | | 10.0 | 0.8 | |
| SF-1251015 | | 1.5 | | |
| SF130620 | 13.0 | 6.0 | 2.0 | |
| SF130630 | | 3.0 | | |
| SF130735 | | 3.5 | | |
| SF130740 | | 7.0 | 4.0 | |
| SF130855 | | 13.5 | 8.0 | 5.5 |
| SF132525 | 13.0 | 2.5 | 2.5 | |

| PART NO | A | B | C |
|------------|------|------|-----|
| SF140430 | 14.0 | 4.0 | 3.0 |
| SF140440 | | 4.0 | |
| SF150320 | 15.0 | 3.2 | 2.0 |
| SF150610 | | 6.0 | 1.0 |
| SF151016 | | 10.0 | 1.6 |
| SF151930 | | 1.9 | |
| SF152530 | | 25.0 | 3.0 |
| SF155030 | | 50.0 | |
| SF1585601 | 15.8 | 5.6 | 1.0 |
| SF151025 | | 10.0 | 2.5 |
| SF-163530 | 16.0 | 3.5 | 3.0 |
| SF160536 | | 5.0 | 3.6 |
| SF170525 | 17.0 | 5.0 | 2.5 |
| SF1724330 | 17.2 | 4.3 | 3.0 |
| SF180930 | 18.0 | 9.0 | 3.0 |
| SF181010 | | 10.0 | 1.0 |
| SF181020 | | 2.0 | |
| SF195640 | 19.0 | 5.6 | 4.0 |
| SF195720 | | 5.7 | 2.0 |
| SF-197774 | 19.7 | 7.7 | 4.0 |
| SF197760 | | 6.0 | |
| SF190814 | | 8.0 | 1.4 |
| SF190815 | | 1.5 | |
| SF-1979723 | | 2.3 | |
| SF1979725 | | 9.7 | 2.5 |
| SF1979730 | | 3.0 | |
| SF-1972015 | | 20.0 | 1.5 |
| SF202515 | | 2.5 | |
| SF200410 | | 20.0 | 4.0 |
| SF200420 | 2.0 | | |
| SF200510 | 5.0 | 1.0 | |
| SF200515 | | 1.5 | |
| SF200563 | | 6.3 | |
| SF200568 | | 6.8 | |
| SF200725 | 7.0 | 2.5 | |
| SF201010 | 10.0 | 1.0 | |
| SF201015 | | 1.5 | |
| SF201020 | | 2.0 | |
| SF201035 | | 3.5 | |
| SF201056 | | 5.6 | |
| SF201465 | 14.0 | 6.5 | |
| SF201515 | 15.0 | 1.5 | |

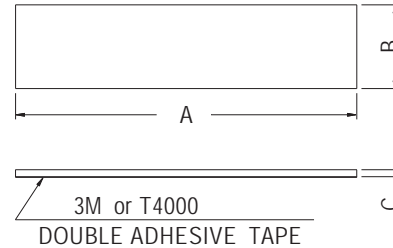
| PART NO | A | B | C |
|-----------|------|------|------|
| SF200612 | 20.5 | 6.0 | 1.2 |
| SF210804 | 21.5 | 8.6 | 0.4 |
| SF-221615 | 22.0 | 16.0 | 1.5 |
| SF227640 | 22.6 | 7.6 | 4.0 |
| SF237640 | 23.0 | | |
| SF230610 | 23.7 | 6.5 | 1.0 |
| SF246011 | 24.8 | 6.0 | 1.1 |
| SF250535 | 25.0 | 5.0 | 3.5 |
| SF250550 | | 5.0 | 5.0 |
| SF250760 | | 7.0 | 6.0 |
| SF250810 | | 1.0 | |
| SF250815 | 8.0 | 8.0 | 1.5 |
| SF250820 | | 2.0 | |
| SF251235 | 25.4 | 12.0 | 3.5 |
| SF251224 | | 12.7 | 2.4 |
| SF251232 | | 3.2 | |
| SF260510 | 26.8 | 5.5 | 1.0 |
| SF270830 | 27.0 | 8.0 | 3.0 |
| SF271810 | | 18.0 | 1.0 |
| SF271820 | | 2.0 | |
| SF271831 | | 3.0 | |
| SF279032 | 27.5 | 9.0 | 3.2 |
| SF-3064 | 30.0 | 6.0 | 4.0 |
| SF303555 | | 3.5 | 5.5 |
| SF-30709 | | 7.0 | 0.9 |
| SF3038 | | 8.0 | 3.8 |
| SF-301120 | | 11.0 | 2.0 |
| SF-301140 | | 4.0 | |
| SF301230 | | 12.0 | 3.0 |
| SF301250 | | 5.0 | |
| SF301525 | | 15.0 | 2.5 |
| SF302055 | | 20.0 | 5.5 |
| SF302501 | 25.0 | 1.0 | |
| SF30511 | 30.5 | 11.0 | 7.0 |
| SF311510 | 31.5 | 15.5 | 1.0 |
| SF311515 | | 1.5 | |
| SF3267225 | 32.0 | 6.7 | 2.25 |
| SF321720 | | 17.0 | 2.0 |
| SF321725 | | 2.5 | |
| SF332055 | 33.0 | 20.0 | 5.5 |
| SF332385 | 33.3 | 23.3 | 8.5 |
| SF331125 | 33.5 | 11.5 | 2.5 |



- ◆ MATERIAL: RUBBER
- ◆ COLOR: BLACK/GRAY/COMPUTER
- ◆ UNIT: mm
- ◆ OTHER MATERIALS AVAILABLE: EPDM, SILICON,
- ◆ OPTIONAL THICKNESS IS BETWEEN 0.5~10mm



WE MAKE DIFFERENT SIZE FOR YOUR ORDER.

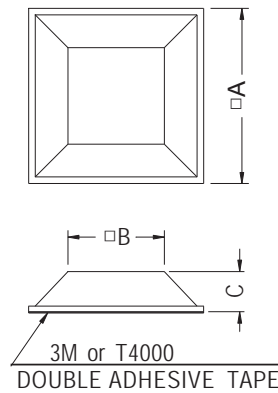
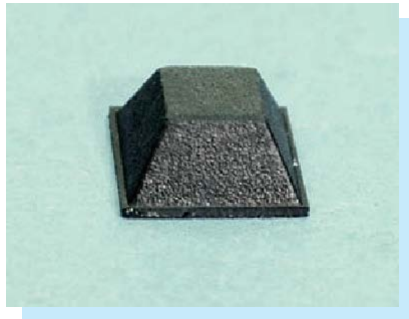


| PART NO | A | B | C | PART NO | A | B | C |
|-----------|------|------|------|------------|-------|-------|-----|
| SF340220 | 34.0 | 2.0 | 2.0 | SF700525 | | 5.0 | 2.5 |
| SF340904 | 34.6 | 9.5 | 0.4 | SF701820 | 70.0 | 18.0 | 2.0 |
| SF-340901 | 34.7 | 9.7 | 1.0 | SF702010 | | 20.0 | 1.0 |
| SF351001 | | 10.0 | | SF764005 | 76.0 | 40.0 | 0.5 |
| SF351580 | 35.0 | 15.0 | 8.0 | SF-801004 | 80.0 | 10.0 | |
| SF352508 | | 25.0 | 0.8 | SF845208 | 84.6 | 52.6 | 0.8 |
| SF361810 | 36.0 | 18.0 | 1.0 | SF880810 | 88.0 | 8.0 | 1.0 |
| SF361820 | | | 2.0 | SF951232 | 95.0 | 12.0 | 3.2 |
| SF400509 | 39.5 | 5.0 | 0.9 | SF980830 | 98.0 | 8.0 | 3.0 |
| SF-4009 | | | 1.5 | SF993555 | 99.0 | 3.5 | 5.5 |
| SF400924 | | 9.0 | 2.4 | SF990915 | | 9.9 | 1.5 |
| SF400930 | | | 3.0 | LSF-002 | 100.0 | 12.0 | 3.5 |
| SF401040 | 40.0 | 10.5 | 4.0 | SF107581 | 107.0 | 58.0 | 1.5 |
| SF401235 | | | 3.5 | SF1100540 | | 5.6 | 4.0 |
| SF401240 | | 12.0 | 4.0 | SF1101010 | 110.0 | | 1.0 |
| SF401250 | | | 5.0 | SF1111009 | 111.0 | 10.0 | 0.9 |
| SF401715 | | 17.5 | 1.5 | SF1200310 | 120.0 | 3.0 | 1.0 |
| SF442010 | 44.5 | 20.0 | 10.0 | SF1254620 | 125.0 | 46.0 | 2.0 |
| SF451020 | 45.0 | 10.0 | 2.0 | SF1302030 | | | 3.0 |
| SF473530 | 47.5 | 3.5 | 3.0 | SF1302020 | 130.0 | 20.0 | |
| SF481040 | 48.0 | 10.0 | 4.0 | SF1340220 | 134.0 | 2.0 | 2.0 |
| SF484410 | | 44.0 | | SF1400520 | | 5.0 | |
| SF491210 | 49.0 | 12.0 | 1.0 | SF140101 | 140.0 | 10.0 | 1.0 |
| SF500620 | 50.0 | 6.0 | 2.0 | SF140251 | | 25.0 | |
| SF501038 | 50.0 | | 3.8 | SF14510520 | 145.0 | 105.0 | 2.0 |
| SF541010 | 54.0 | 10.0 | 1.0 | SF1461010 | 146.0 | 10.0 | 1.0 |
| SF550515 | 55.0 | 5.0 | 1.5 | SF1500712 | | 7.0 | 1.2 |
| SF582508 | | | 0.8 | SF-1501004 | 150.0 | 10.0 | 0.5 |
| SF582514 | 58.0 | 25.0 | 1.4 | SF1501515 | | 15.0 | 1.5 |
| SF582516 | | | 1.6 | SF1600610 | 160.0 | 6.0 | 1.0 |
| SF600610 | | | 1.0 | SF1664930 | 166.5 | 49.0 | 3.0 |
| SF600613 | | 6.0 | 1.3 | SF2500515 | | 5.0 | 1.5 |
| SF600625 | | | 2.5 | SF2506520 | 250.0 | 65.0 | 2.0 |
| SF-6064 | | | 4.0 | SF2701655 | 270.0 | 165.0 | 0.5 |
| SF600907 | | 9.0 | 0.7 | SF2581420 | 258.0 | 14.5 | 2.0 |
| SF601010 | 60.0 | | 1.0 | SF3101150 | | 11.6 | 5.0 |
| SF601025 | | 10.0 | 2.5 | SF3101250 | 310.0 | 12.0 | |
| SF6017530 | | 17.5 | 3.0 | SF5400208 | 540.0 | 2.9 | 0.8 |
| SF602010 | | 20.0 | 10.0 | | | | |
| SF6067671 | | 6.7 | 6.7 | | | | |
| SF652020 | 65.0 | 20.0 | 2.0 | | | | |
| SF654030 | | 40.0 | 3.0 | | | | |



RUBBER FOOT

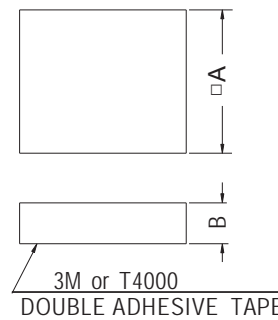
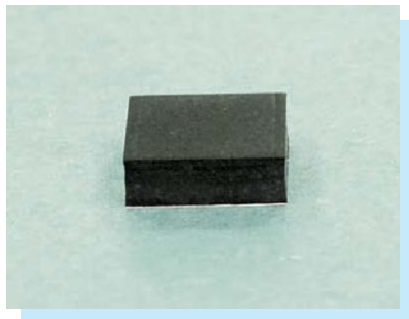
- ◆ MATERIAL: RUBBER/PU
- ◆ COLOR: BLACK/GRAY/COMPUTER
- ◆ UNIT: mm



| PARTNO | A | B | C |
|---------|------|------|-----|
| SF-004 | 12.7 | 9.0 | 3.5 |
| SF-005 | 12.7 | 7.0 | 6.0 |
| SF-005I | 12.7 | 7.0 | 6.0 |
| SF-006 | 20.0 | 14.0 | 7.6 |
| SF-007 | 10.5 | 8.6 | 2.5 |
| SF-009 | 12.5 | 9.5 | 4.0 |
| SF-016 | 12.7 | 9.8 | 3.0 |
| SF-017 | 12.5 | 9.7 | 3.5 |

RUBBER FOOT

- ◆ MATERIAL: RUBBER
- ◆ COLOR: BLACK/GRAY/COMPUTER
- ◆ UNIT: mm
- ◆ OTHER MATERIALS AVAILABLE: EPDM, SILICON,
- ◆ OPTIONAL THICKNESS BETWEEN 0.7-5.0mm



| PART NO | A | B |
|------------|-----|-----|
| SF050510 | 5.0 | 1.0 |
| SF050512 | | 1.2 |
| SF-6610 | 6.0 | 1.0 |
| SF-6615 | | 1.5 |
| SF060625 | | 2.5 |
| SF-664 | | 4.0 |
| SF-665 | | 5.0 |
| SF060660 | | 6.0 |
| SF-001 | | 6.4 |
| SF070715 | 7.0 | 1.5 |
| SF070720 | | 2.0 |
| SF070740 | | 4.0 |
| SF070755 | | 5.5 |
| SF070780 | | 8.0 |
| SF73732 | 7.3 | 2.0 |
| SF-080801 | 8.0 | 1.0 |
| SF-080802 | | 2.0 |
| SF080823 | | 2.3 |
| SF-0808025 | | 2.5 |
| SF090945 | | 9.0 |
| SF-002 | 9.7 | 2.0 |

| PARTNO | A | B |
|------------|------|-----|
| SF-979735 | 9.7 | 3.5 |
| SF101007 | 10.0 | 0.7 |
| SF101009 | | 0.9 |
| SF101010 | | 1.0 |
| SF101016 | | 1.6 |
| SF101020 | | 2.0 |
| SF101023 | | 2.3 |
| SF101025 | | 2.5 |
| SF101030 | | 3.0 |
| SF101035 | | 3.5 |
| SF101040 | | 4.0 |
| SF101050 | 5.0 | |
| SF101060 | 11.0 | 6.0 |
| SF111160 | | 6.0 |
| SF11511550 | 11.5 | 5.0 |
| SF11511565 | | 6.5 |
| SF-121212 | 12.0 | 1.2 |
| SF121225 | | 2.5 |
| SF-003 | | 5.0 |
| SF121255 | | 5.5 |

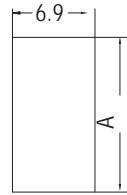
| PARTNO | A | B |
|------------|------|------|
| SF121270 | 12.0 | 7.0 |
| SF-1272 | 12.7 | 2.3 |
| SF-131320 | 13.0 | 2.0 |
| SF14142 | 14.0 | |
| SF141480 | | 14.0 |
| SF151512 | 15.0 | 1.2 |
| SF-151515 | | 1.5 |
| SF151535 | | 3.5 |
| SF151550 | | 5.0 |
| SF161610 | 16.0 | 1.0 |
| SF171725 | 17.0 | 2.5 |
| SF181810 | 18.0 | 1.0 |
| SF181820 | | 2.0 |
| SF181840 | | 4.0 |
| SF181850 | | 5.0 |
| SF202030 | 20.0 | 3.0 |
| SF25425450 | 25.4 | 5.0 |
| SF404010 | 40.0 | 1.0 |
| SF404050 | | 5.0 |
| SF505050 | | 50.0 |



RUBBER FOOT

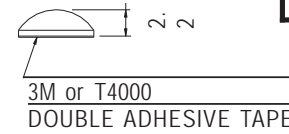


- ◆ MATERIAL:RUBBER
- ◆ COLOR:BLACK/GRAY/COMPUTER
- ◆ UNIT:mm
- ◆ OTHER MATERIALS AVAILABLE: EPDM,SILICON,....

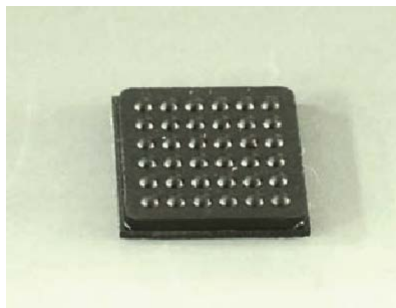


WE MAKE DIFFERENT SIZE FOR YOUR ORDER.

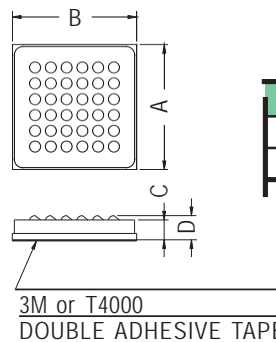
| PARTNO | A |
|---------|------|
| SF14722 | 14.0 |
| SF28722 | 27.8 |



RUBBER FOOT



- ◆ MATERIAL:RUBBER
- ◆ COLOR:BLACK
- ◆ UNIT:mm

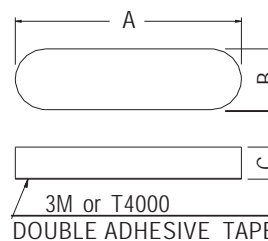


| PARTNO | A | B | C | D |
|--------|------|------|-----|-----|
| P004 | 14.0 | 13.5 | 2.1 | 2.6 |
| P005 | 15.0 | 14.5 | 2.6 | 3.1 |

RUBBER FOOT



- ◆ MATERIAL:RUBBER
- ◆ COLOR:BLACK/GRAY/COMPUTER
- ◆ UNIT:mm
- ◆ OTHER MATERIALS AVAILABLE: EPDM,SILICON,....

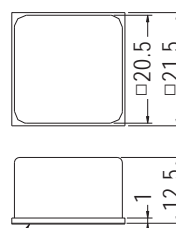


| PARTNO | A | B | C |
|-----------|------|-----|-----|
| PT005 | 26.8 | 7.2 | 3.8 |
| PT-1762 | 17.5 | 6.5 | 2.0 |
| PT080210 | 8.0 | 2.0 | 1.0 |
| PT100612 | 10.5 | 6.0 | 1.2 |
| PT100614 | 10.5 | 6.0 | 1.4 |
| PT158932S | 15.8 | 9.3 | 2.0 |
| PT160915 | 16.0 | 9.5 | 1.5 |
| PT200612 | 20.5 | 6.2 | 1.2 |
| PT200617 | 20.5 | 6.2 | 1.7 |
| PT270720 | 26.8 | 7.2 | 2.0 |
| PT360712 | 36.0 | 7.0 | 1.2 |
| PT690920 | 69.6 | 9.8 | 2.0 |

RUBBER FOOT



- ◆ MATERIAL:RUBBER
- ◆ COLOR:COMPUTER
- ◆ UNIT:mm



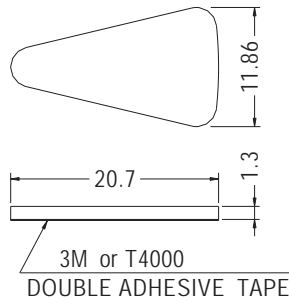
3M or T4000
DOUBLE ADHESIVE TAPE

| PARTNO | PACKAGE |
|----------|---------|
| SF202013 | 1000 |



RUBBER FOOT

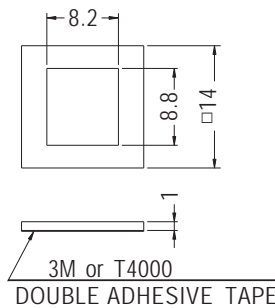
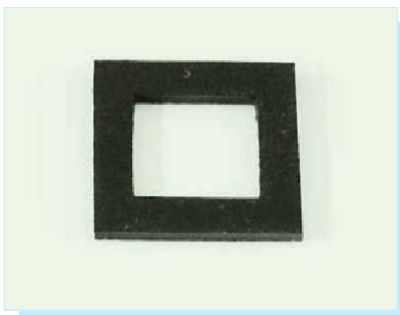
- ◆ MATERIAL:RUBBER
- ◆ COLOR:BLACK
- ◆ UNIT:mm



| PART NO | PACKAGE |
|----------|---------|
| TF201113 | 1000 |

RUBBER FOOT

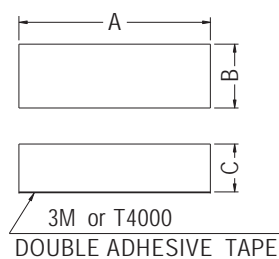
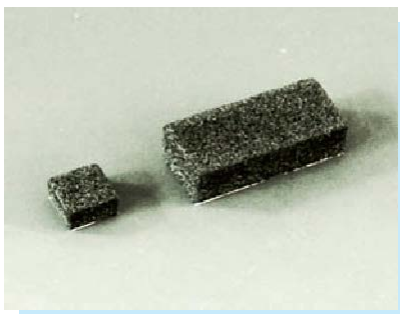
- ◆ MATERIAL:RUBBER
- ◆ COLOR:BLACK
- ◆ UNIT:mm



| PART NO |
|----------|
| SF141410 |

EVA FOAM

- ◆ MATERIAL:EVA
- ◆ COLOR:BLACK
- ◆ UNIT:mm
- ◆ PROVIDING SERVICE FOR ANY DIMENSIONS REQUIRED



| PARTNO | A | B | C |
|-----------|------|-----|-----|
| EVA862 | 8.0 | 6.0 | 2.0 |
| EVA120430 | 12.0 | 4.0 | 3.0 |



CONDUCTIVE FOAM

- ◆ MATERIAL:EMI CONDUCTIVE FABRIC
- ◆ UNIT:mm



| PARTNO | PACKAGE |
|--------|---------|
| CRGI01 | 1000 |



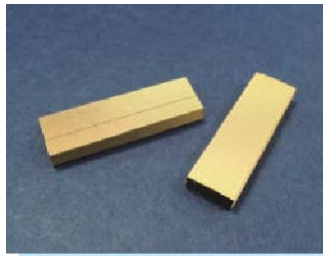
| PARTNO | PACKAGE |
|--------|---------|
| CRGH06 | 1000 |



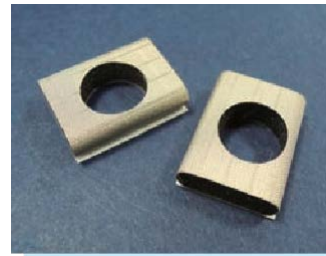
| PARTNO | PACKAGE |
|--------|---------|
| CRGP11 | 1000 |



| PARTNO | PACKAGE |
|--------|---------|
| CRGF02 | 1000 |



| PARTNO | PACKAGE |
|----------|---------|
| CRGR-G07 | 1000 |



| PARTNO | PACKAGE |
|--------|---------|
| CRGI12 | 1000 |



| PARTNO | PACKAGE |
|--------|---------|
| CRGS03 | 1000 |



| PARTNO | PACKAGE |
|--------|---------|
| CRGR08 | 1000 |



| PARTNO | PACKAGE |
|--------|---------|
| CRGT13 | 1000 |



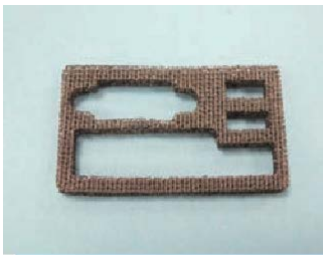
| PARTNO | PACKAGE |
|--------|---------|
| CRGR04 | 1000 |



| PARTNO | PACKAGE |
|--------|---------|
| CRGC09 | 1000 |



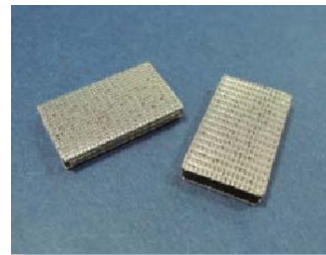
| PARTNO | PACKAGE |
|--------|---------|
| CRGD14 | 1000 |



| PARTNO | PACKAGE |
|----------|---------|
| CRGI-E05 | 1000 |



| PARTNO | PACKAGE |
|--------|---------|
| CRGL10 | 1000 |



| PARTNO | PACKAGE |
|----------|---------|
| CRGI-W15 | 1000 |

