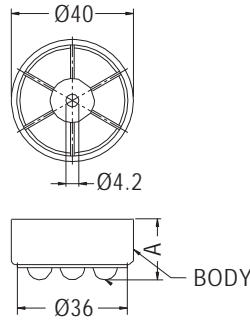


# ANTI VIBRATION FOOT

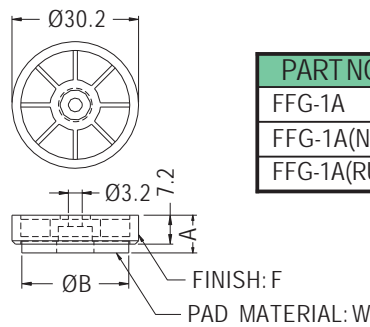
- ◆ BODY MATERIAL:ABS
- ◆ PAD MATERIAL:TPE
- ◆ COLOR:BLACK
- ◆ UNIT:mm



PART NO	A	PACKAGE
FFQ-1	20.0	500
FFQ-2	12.5	

# SILVER PLATED FOOT

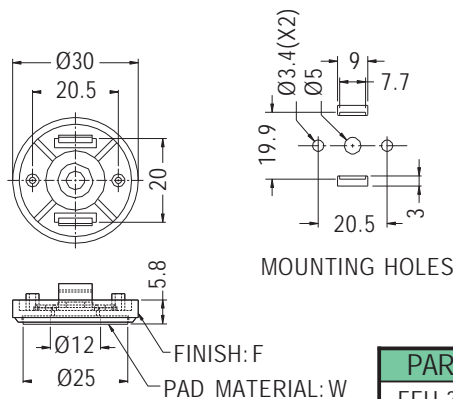
- ◆ MATERIAL:ABS (UL)
- ◆ FLAME CLASS:94HB
- ◆ COLOR:BLACK
- ◆ UNIT:mm



PART NO	A	B	F	W
FFG-1A	9.1	25.0	SILVER PLATED	EVA
FFG-1A(N)	9.1	25.0		EVA
FFG-1A(RU)	8.2	25.0	SILVER PLATED	RUBBER

# SILVER PLATED FOOT

- ◆ HOUSING MATERIAL:ABS
- ◆ COLOR:BLACK
- ◆ UNIT:mm



MOUNTING HOLES

PART NO	F	W
FFH-30S(RU)	SILVER PLATED	RUBBER