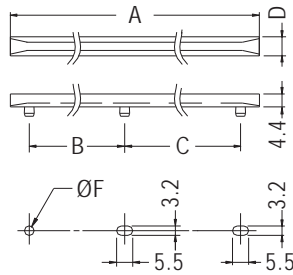


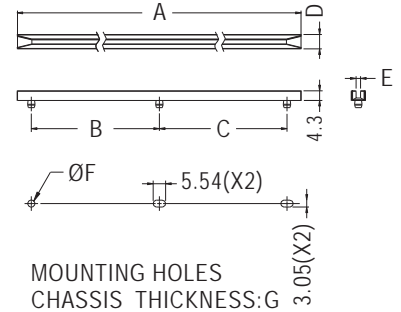
CARD GUIDE



- ◆ MATERIAL: NYLON 66 (UL)
- ◆ FLAME CLASS: 94V-2/94V-0
- ◆ COLOR: NATURAL/BLACK
- ◆ UNIT: mm



MOUNTING HOLES
CHASSIS THICKNESS: G



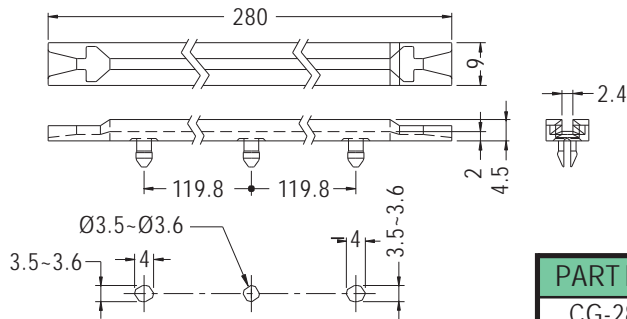
MOUNTING HOLES
CHASSIS THICKNESS: G
FOR CGA-178S

PART NO	A	B	C	D	E	F	G	PACKAGE
CGA-178	178.5	83.0	83.0	6.5	2.8	3.3	1.2~2.2	200
★ CGA-178S	177.8	82.55	82.55	6.4	2.0	3.18	1.2~2.2	
CGA-203	203.2	95.2	95.2	6.2	2.0	3.2	1.2~2.0	100
CGA-217	217.0	102.0	102.0	6.5	2.8	3.3	1.2~2.2	200



CARD GUIDE

- ◆ MATERIAL: NYLON 66 (UL)
- ◆ FLAME CLASS: 94V-2/94V-0
- ◆ COLOR: NATURAL/BLACK
- ◆ UNIT: mm

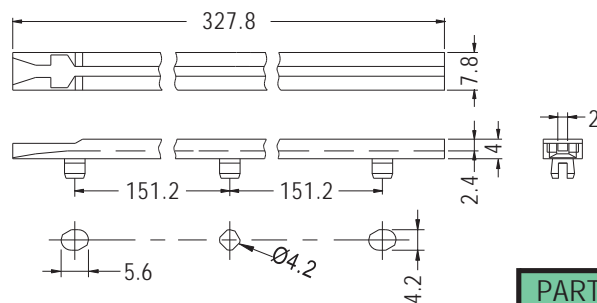


HOLE IN CHASSIS
MAX. THICKNESS 2.0

PART NO	PACKAGE
CG-280	100

CARD GUIDE

- ◆ MATERIAL: NYLON 66 (UL)
- ◆ FLAME CLASS: 94V-2/94V-0
- ◆ COLOR: RED
- ◆ UNIT: mm



MOUNTING HOLES

PART NO	PACKAGE
FR-1300	100

