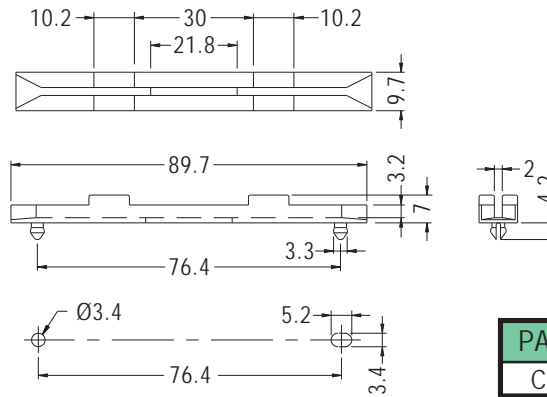


# CARD GUIDE

- ◆ MATERIAL: NYLON 66 (UL)
- ◆ FLAME CLASS: 94V-2/94V-0
- ◆ COLOR: NATURAL/BLACK
- ◆ UNIT: mm

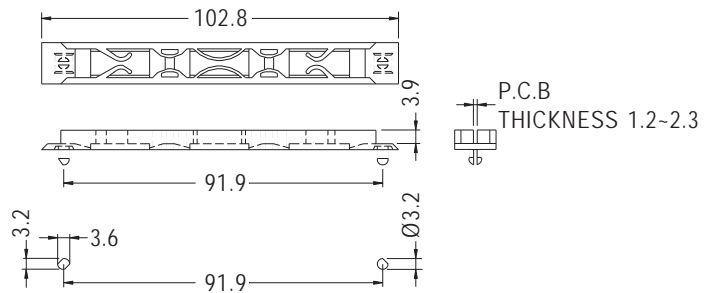


MOUNTING HOLES

PART NO	PACKAGE
CG-9AL	250

# CARD GUIDE

- ◆ MATERIAL: NYLON 66 (UL)
- ◆ FLAME CLASS: 94V-2/94V-0
- ◆ COLOR: NATURAL/BLACK
- ◆ UNIT: mm

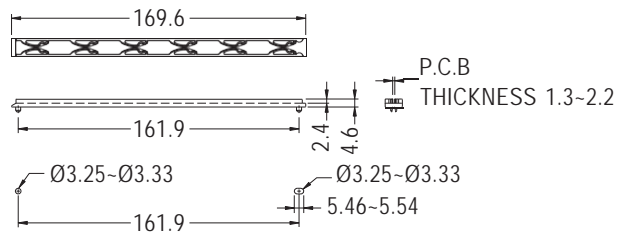


MOUNTING HOLES  
 CHASSIS THICKNESS 1.6~2.2

PART NO	PACKAGE
CG-10A	250

# CARD GUIDE

- ◆ MATERIAL: PC (UL)
- ◆ FLAME CLASS: 94V-0
- ◆ COLOR: BLACK
- ◆ UNIT: mm



MOUNTING HOLES  
 THICKNESS 1.5-1.8

PART NO	PACKAGE
CGE-169	500