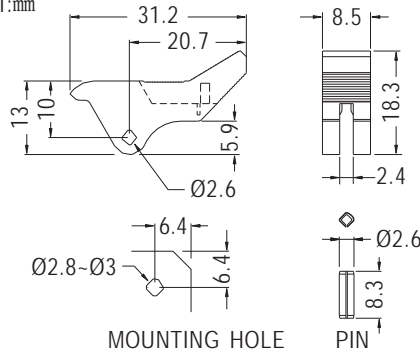


# CARD PULLER



- ◆ MATERIAL: NYLON 66 (UL)
- ◆ FLAME CLASS: 94V-2/94V-0
- ◆ PIN MATERIAL: STEEL
- ◆ COLOR: NATURAL/BLACK
- ◆ UNIT: mm

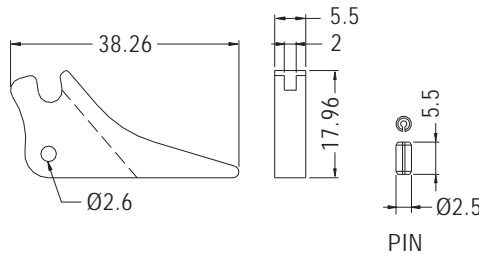


| PART NO | PACKAGE |
|---------|---------|
| CP-70   | 1000    |

# CARD PULLER



- ◆ MATERIAL: POM (UL)
- ◆ FLAME CLASS: 94HB
- ◆ PIN MATERIAL: STEEL
- ◆ COLOR: BLACK
- ◆ UNIT: mm

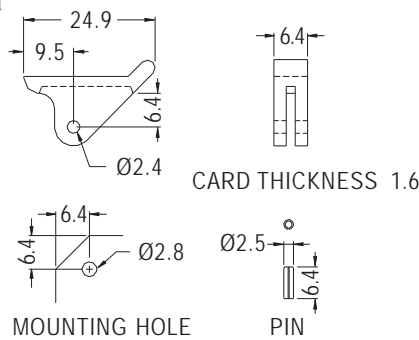


| PART NO | PACKAGE |
|---------|---------|
| CP-72   | 500     |

# CARD PULLER



- ◆ MATERIAL: NYLON 66 (UL)
- ◆ FLAME CLASS: 94V-2/94V-0
- ◆ PIN MATERIAL: STEEL
- ◆ COLOR: NATURAL/BLACK
- ◆ UNIT: mm

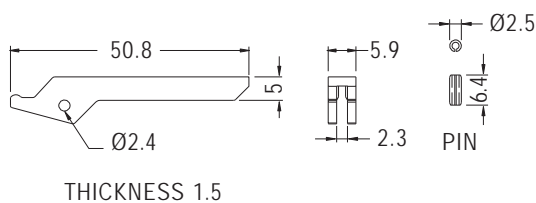


| PART NO | PACKAGE |
|---------|---------|
| CP-82   | 1000    |

# CARD PULLER



- ◆ MATERIAL: NYLON 66 (UL)
- ◆ FLAME CLASS: 94V-2/94V-0
- ◆ PIN MATERIAL: STEEL
- ◆ COLOR: NATURAL/BLACK
- ◆ UNIT: mm



| PART NO | PACKAGE |
|---------|---------|
| CP-84   | 1000    |