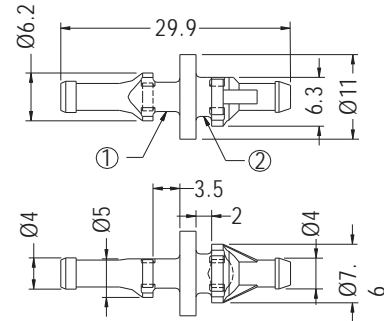
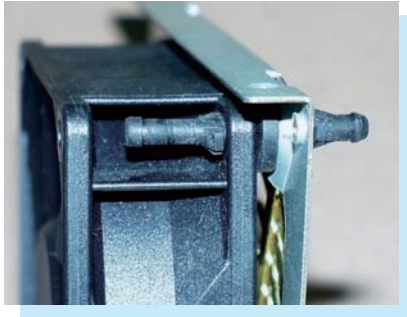


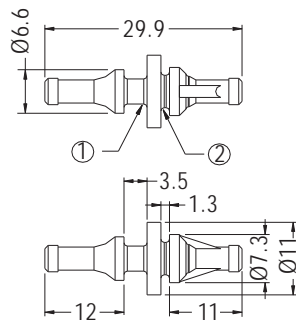
# FAN SNAP RIVET

- ◆ MATERIAL:TPE
- G:HARDNESS IS SHORE A45
- H:HARDNESS IS SHORE A55
- ◆ COLOR:BLACK
- ◆ UNIT:mm



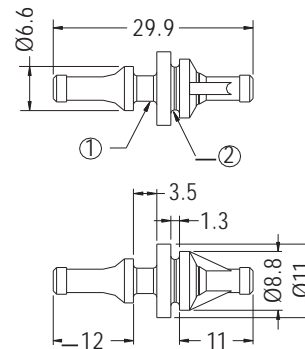
- ① FANS MOUNTING HOLE Ø4.5  
CHASSIS THICKNESS 3.5-4.0
- ② SUPPORT MOUNTING HOLE Ø4.5-4.8  
CHASSIS THICKNESS 0.8-2.0

PART NO	PACKAGE
BUB-29	1000



- ① FAN MOUNTING HOLE Ø4.5  
AND 3.0-5.5 THICKNESS.
- ② SUPPORT MOUNTING HOLE Ø5±0.1  
AND 1.0 -2.0 THICKNESS.

PART NO	PACKAGE
BUB-30	1000

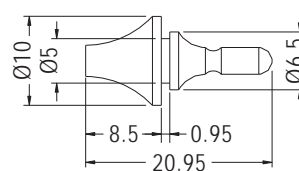


- ① FANS MOUNTING HOLE Ø4.6±0.2  
AND 3.0 -5.5 THICKNESS.
- ② SUPPORT MOUNTING HOLE Ø6.5±0.1  
AND 1.0-2.0 THICKNESS.

PART NO	PACKAGE
BUB-30L	1000

# FAN SNAP RIVET

- ◆ MATERIAL:TPE
- G:HARDNESS IS SHORE A45
- H:HARDNESS IS SHORE A55
- ◆ COLOR:BLACK
- ◆ UNIT:mm



PART NO	PACKAGE
BUC-2	1000

