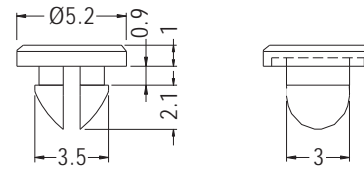


MOUNTING BUTTON

- ◆ MATERIAL:PC
- ◆ COLOR:BLACK
- ◆ UNIT:mm

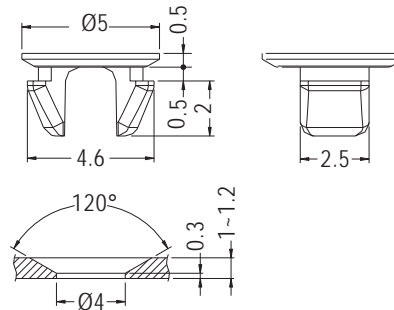


CHASSIS Ø3.1
THICKNESS 0.8

PART NO	PACKAGE
MBT3.1-0.8	2000

MOUNTING BUTTON

- ◆ MATERIAL:NYLON 66 (UL)
- ◆ FLAME CLASS:94V-2/94V-0
- ◆ COLOR:NATURAL/BLACK
- ◆ UNIT:mm

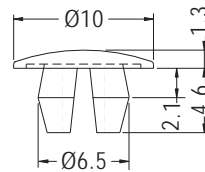


MOUNTING HOLE Ø4.0
CHASSIS THICKNESS 1.0-1.2

PART NO	PACKAGE
MBE4-1.2	1000

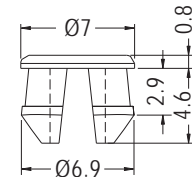
MOUNTING BUTTON

- ◆ MATERIAL:NYLON 66 (UL)
- ◆ FLAME CLASS:94V-2/94V-0
- ◆ COLOR:NATURAL/BLACK
- ◆ UNIT:mm



CHASSIS Ø6.0
THICKNESS 1.2

PART NO	PACKAGE
MBT6-2	2000

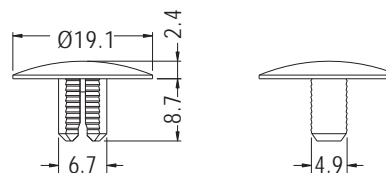


CHASSIS Ø6.2
THICKNESS 2.4

PART NO	PACKAGE
MBT6.2-3	2000

SNAP RIVET

- ◆ MATERIAL:NYLON 66 (UL)
- ◆ FLAME CLASS:94V-2/94V-0
- ◆ COLOR:NATURAL/BLACK
- ◆ UNIT:mm



MOUNTING HOLE Ø7.1
ASSEMBLED THICKNESS 8.8-12.8

PART NO	PACKAGE
MBG2-8.7	1000

