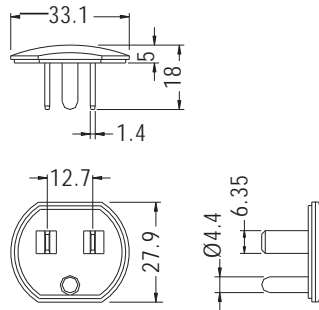


POWER CONNECTOR COVER



MATERIAL:ABS (UL)
FLAME CLASS:94HB
COLOR:BLACK
UNIT:



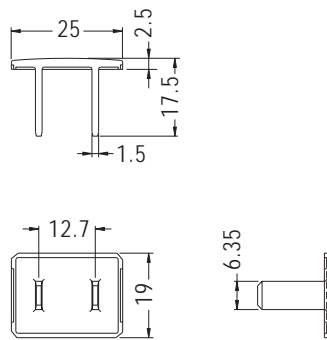
PART NO	PACKAGE
PLCC-2	500

7

POWER CONNECTOR COVER

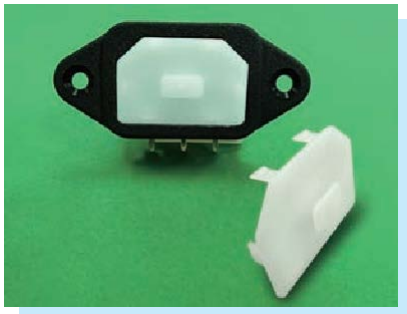


MATERIAL:PP
COLOR:WHITE
UNIT:

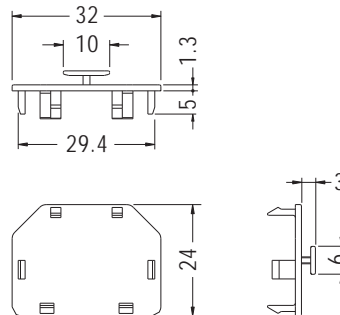


PART NO	PACKAGE
PLCC-3	500

POWER CONNECTOR COVER



MATERIAL:NYLON 66 (UL)
FLAME CLASS:94V-2/94V-0
COLOR:NATURAL/BLACK
UNIT:



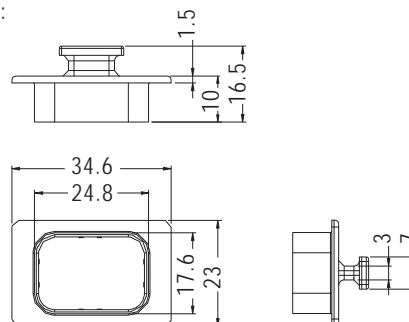
PART NO	PACKAGE
PLCC-5	500

POWER CONNECTOR COVER



NEW

MATERIAL:PE
COLOR:BLACK
UNIT:



PART NO	PACKAGE
PLCC-16	1000

